

980 nm laser diode

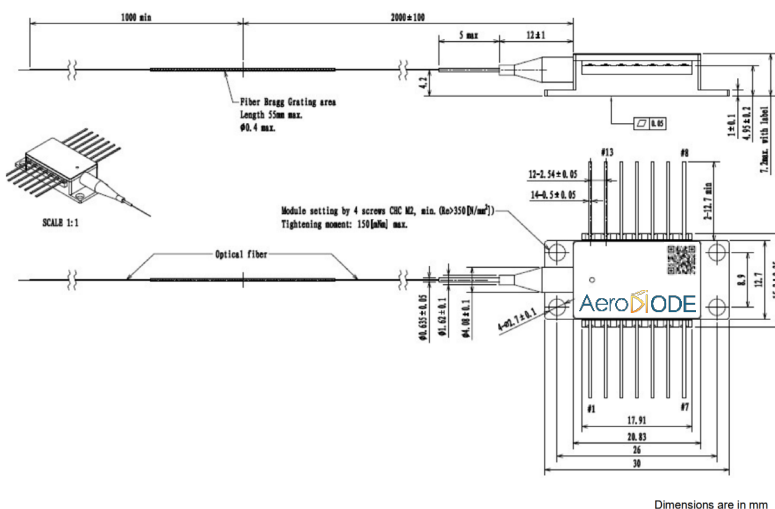
1000 mW / singlemode fiber / Butterfly package

Reference: 980LD-2-0-0

Technology : Single mode FP with Bragg Grating

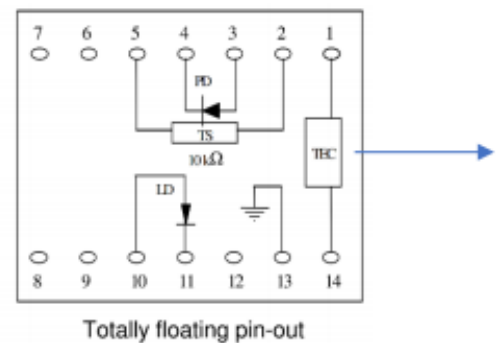
SPECIFICATIONS	Unit	Min	Typ	Maximum
Output Power	mW	950	1000	
Center Wavelength	nm	980	981	982
Spectral Width (FWHM)	nm			1.0
Threshold Current	mA			100
Operating Current	mA		1600	
Operation Voltage	V			2.0
Wavelength shift w Temperature	nm/°C			0.02
Power in Band	%	90		
Polarization Extinction Ratio	dB	13		
Internal Photodiode Responsivity	mA/W	0.5		10
Internal Photodiode Dark Current	nA			100
TEC current (Case @ 75°C)	A			1.6
TEC Voltage (Case at 75°C)	V			3.4
Internal thermistor (25°C)	kOhm	9.5		10.5
Fiber type	SM98-PS-U25D-H or equivalent			
Fiber bend radius	mm	16 (abs min)		
Coating diameter	µm	230	250	270
Fiber connector	FC/APC (Optional)			
Storage case temperature	°C	-40 (abs min)		85 (abs max)
Operating case temperature	°C	-20 (abs min)		75 (abs max)
Lead soldering temperature	°C			280
Laser diode reverse voltage	V			2.0
Polarization state	Aligned to the slow axis			

Form factor:



Dimensions are in mm

Laser diode pinning :



Totally floating pin-out