

# 976nm, Conduction-Cooled, Narrow Linewidth, Fiber-Coupled, Multi-Bar Module

## Features

- Narrow linewidth of <1nm
- High coupling efficiency
- High brightness
- Conduction-cooled
- Sealed housing

## Optional Accessories

- Integrated pointer laser
- Integrated power meter
- Integrated NTC temperature sensor
- Fiber detection sensor



## Device Specification

Optical Parameters <sup>1</sup>	Units			
Center Wavelength Range <sup>3</sup>	nm		976	
Center Wavelength Tolerance	nm		±0.6	
Output Power <sup>2</sup>	W	240	300	400
Spectral Width (FWHM)	nm		<1	
Slope Efficiency	W/A	>5.6	>6.5	>9
Wavelength Temp. Coefficient	nm/°C		~0.01 <sup>5</sup>	

## Fiber Parameters

Numerical Aperture	NA	0.22	0.22	0.22
Fiber Core Diameter	µm	200	400	400
Fiber Connector		QBH	QBH/HighYAG	QBH/HighYAG

## Electrical Parameters<sup>1</sup>

Power Conversion Efficiency	%	>35	>40	>40
Threshold Current (I <sub>TH</sub> )	A	<7.5	<7.5	<7.5
Operating Current (I <sub>OP</sub> )	A	<55	<60	<60
Operating Voltage (V <sub>OP</sub> )	V	<16	<20	<24

## Thermal Parameters

Operating Temperature <sup>3, 4</sup>	°C		+20 to +30	
Storage Temperature <sup>4</sup>	°C		0 to +55	
Recommended Cooling Capacity	W	>640	>900	>1040

<sup>1</sup>Data at 25°C cold plate temperature, unless otherwise stated.

<sup>2</sup>Reduced lifetime if used above nominal operating conditions.

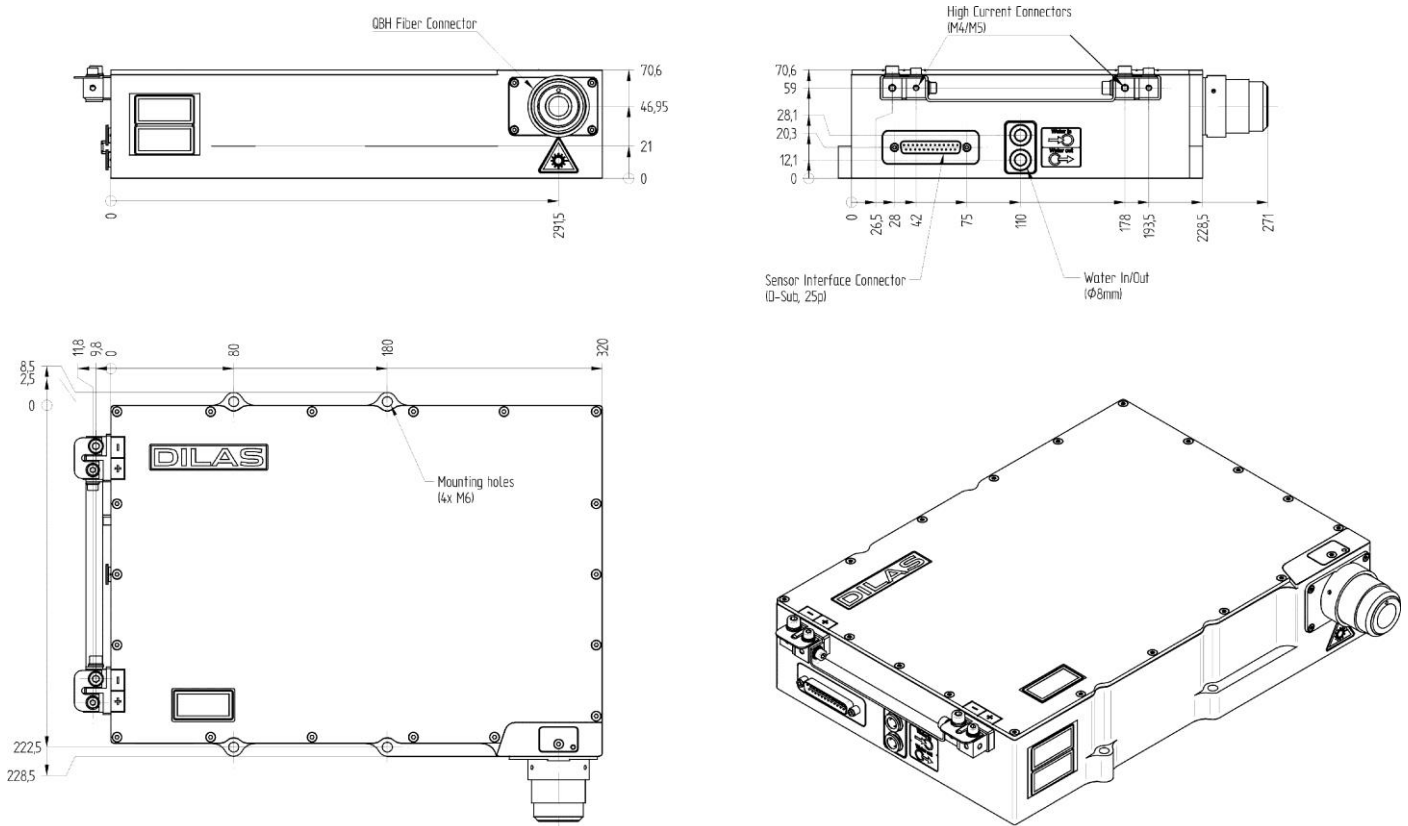
<sup>3</sup>Others available upon request.

<sup>4</sup>A non-condensing environment is required for storage and operation below the ambient dew point.

<sup>5</sup>Within operating temperature ±3°C

# 976nm, Conduction-Cooled, Narrow Linewidth, Fiber-Coupled, Multi-Bar Module

## Package Dimension



©2014 DILAS. All rights reserved. DILAS reserves the right to change products specifications without notice. For handling precautions, please reference the general handling instruction manual.

For complete details, please contact your local DILAS sales representative or visit our website at [www.DILAS.com](http://www.DILAS.com).

**Europe**  
**DILAS Diodenlaser GmbH**  
Galileo-Galilei-Straße 10  
55129 Mainz  
Germany  
Phone: +49 (0)6131 9226 0  
Fax: +49 (0)6131 9226 257  
Email: [sales@DILAS.de](mailto:sales@DILAS.de)

**North America**  
**DILAS Diode Laser, Inc.**  
9070 South Rita Road  
Suite 1500  
Tucson, AZ 85747  
Phone: +1 (520) 232-3480  
Fax: +1 (520) 232-3499  
Email: [sales@DILAS-INC.com](mailto:sales@DILAS-INC.com)

**China & Taiwan**  
**DILAS Diodenlaser GmbH**  
China Sales Office  
Room 206, Sunplus Technology, Bldg. 2  
No. 1077 Zu Chongzhi Road  
Hi-Tech Park, Shanghai 201203,  
P.R. China  
Phone: +86 (0) 21-6855-2216  
Fax: +86 (0) 21-5027-3793  
Email: [sales@dilas-china.com.cn](mailto:sales@dilas-china.com.cn)