
 pins 1, 5: Laser Diode Anode
 pins 2, 4: Laser Diode Cathode
 pin 3: PD monitor

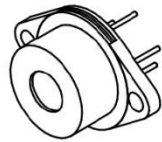
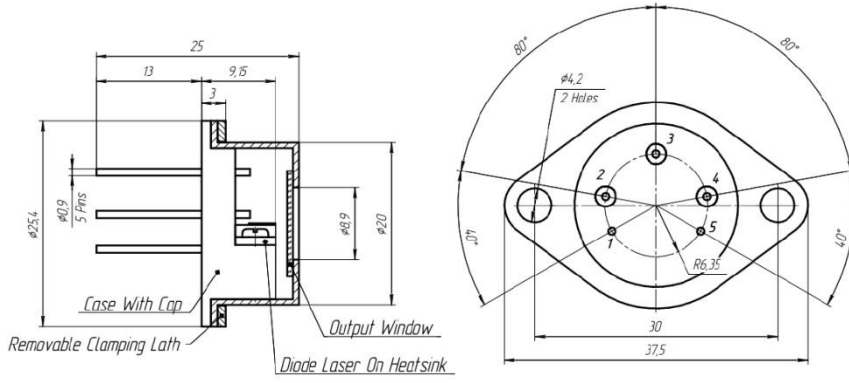
PRODUCT DATA SHEET

Laser Diode (TO-3 package)

Model FB-M1060-2000TO3

| Specification | Symbol | Typical | Unit |
|------------------------------------|--------------------------|-------------------------------------------|----------------------------------|
| Laser Emitter | | | |
| Peak Wavelength | λ_{op} | 1060±20 | nm |
| CW Optical Output Power | P_{op} | 2 | W |
| Operation Current | I_{op} | <4 | A |
| Operation Voltage | U_{ld} | 1.5±0.2 | V |
| Threshold Current | I_{th} | < 0.6 | A |
| Beam Divergence (FWHM) | $\theta_{ }$ | 8±2 | degree |
| Beam Divergence (FWHM) | θ_{\perp} | 1 | degree |
| Spectrum Half-Width (FWHM) | $\Delta\lambda$ | < 3.5 | nm |
| Emitting Area | $W \times d$ | 100x1 | $\mu\text{m} \times \mu\text{m}$ |
| Operation Mode | - | CW, QCW, Pulse ($\tau > 5\text{ns}$) | - |
| Operation Temperature | T_{op} | 25 | degree |
| Photo Diode Monitor | | | |
| PD Monitor Current | | 1-1000 | μA |
| PD Reverse Voltage | | 9 | V |
| Wavelength Temperature Coefficient | $\Delta\lambda/\Delta T$ | 3±0.2 | $\text{\AA}/\text{degree}$ |
| Operation Temperature Range | | -20... +40 | degree |
| Storage Temperature Range | | -40... +80 | degree |

Drawings:



| | |
|------|------|
| 1, 5 | LD + |
| 2 | PD + |
| 3 | PD - |
| 4 | LD - |

PRODUCT WARRANTY:

This product is sold with a full one year warranty. The warranty includes all parts and labor. It is warranted to be free from defects in material and workmanship for a period of one year from the date of shipment. The warranty does not include damage to the product due to customer mishandling or use of the product outside of its specified maximum ratings.

INSTALLATION SUPPORT OR TECHNICAL SUPPORT FOR THIS PRODUCT:

800-887-5065 extension 1
contact@laserdiodesource.com



Part of the Laser Lab Source Group:
LaserLabSource.com
LaserDiodeSource.com
LaserDiodeControl.com
Laser Diode Technologies

Laser Lab Source Inc.
1820 W. Lincoln Street
Bozeman, MT USA 59715
contact@LaserDiodeSource.com
contact@LaserDiodeControl.com
800-887-5065

800-887-5065