

# Mini-Benchtop Stabilized Laser

## High-Power, Wavelength Stabilized



High Power, Narrow Linewidth  
Connectorized Fiber Coupled Output

### Features:

- Narrow spectral linewidth – 0.07nm FWHM
- High powers - From 150mW to 500mW
- SMSR >40dB
- Integrated drive electronics and temperature control
- Manually adjustable digital power control with LCD Touchscreen display
- Plug-and-play with safety switch and key
- Connectorized FC/PC fiber coupled output
- Optional 105  $\mu\text{m}$  MM fiber, 0.22 NA, with FC/PC or SMA end connector
- CE certified and RoHS Compliant

### Applications:

- Raman Spectroscopy
- Metrology
- Bio-instrumentation
- Sensing
- Analytical Instrumentation

Ondax's new Mini-Benchtop Lasers are ultra-compact and an easy to use, rugged solution for the lab. Incorporating an Ondax SureLock™ VHG-stabilized laser diode, the Mini-Benchtop Laser delivers steady, high-power, spectrum-narrowed performance.

With easy-to-adjust manual power controls, the Mini-Benchtop Laser provides better than 1% power stability and less than 1 minute warm-up. Delivering extreme temperature insensitivity, these lasers are perfect for the lab user or OEM doing Raman spectroscopy.

All SureLock™ Series lasers are stabilized using the Ondax PowerLocker® Volume Holographic Grating (VHG), ensuring precise, ultra-stable center wavelengths, low temperature dependence, and consistent optical performance over the locked region. The narrowed linewidth, low power consumption, and broad stabilized temperature operating characteristics deliver affordable, portable instrument-quality performance.

Comes with an FC/PC front panel connector. An optional 105  $\mu\text{m}$  fiber cable with either FC/PC or SMA end connector is also available.

### Specifications:

#### Specification Summary

Parameter	Unit	Wavelength							
Center Wavelength (vacuum)	nm	405	445	520	638	785	830	976	1064
Center Wavelength Tolerance (nm)	nm	±1	±1	±1	±1	±1	±1	±1	nm
Output Power	mW	150	200	225	170	350/500	350/500	350/500	350/500
Spectral Width	nm	0.07 typ			0.15 max			nm	
Side Mode Suppression Ratio	dB	40							

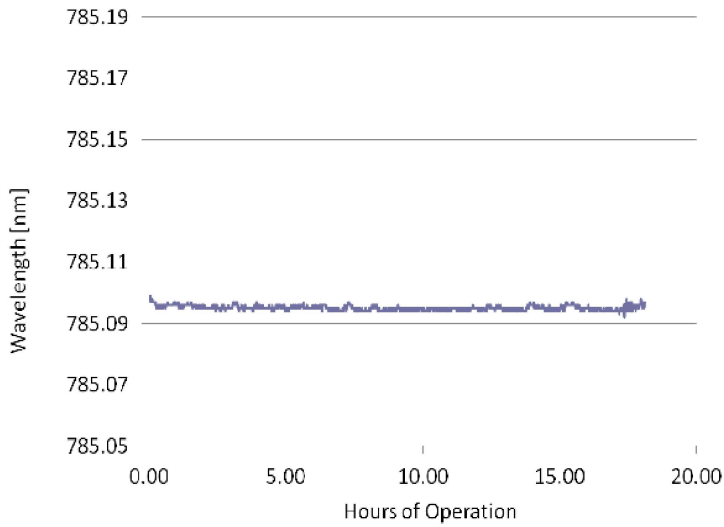
#### Operating Specifications

Parameter	Symbol	Min	Typ	Max	Unit
Current <sup>1</sup>	I		1		A
Input Voltage <sup>1</sup>	V		90-240/50-60Hz		VAC
Fiber Type		105 $\mu\text{m}$ core/ 900 $\mu\text{m}$ tubing			
Connector <sup>2</sup>		FC/PC			
Numerical Aperture	NA	0.22			
Operating Temperature <sup>3</sup>	T <sub>op</sub>	10	25	35	°C
Storage Temperature <sup>2</sup>	T <sub>s</sub>	-10		60	°C

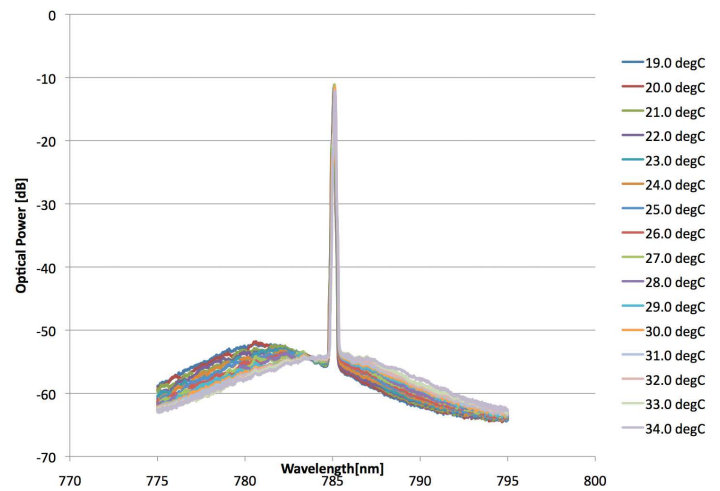
<sup>1</sup>With supplied power adapter <sup>2</sup>FC/PC to SMA adapter cable available - please specify at time of ordering <sup>3</sup>Non-condensing

# SureLock™ Mini-Benchtop Laser

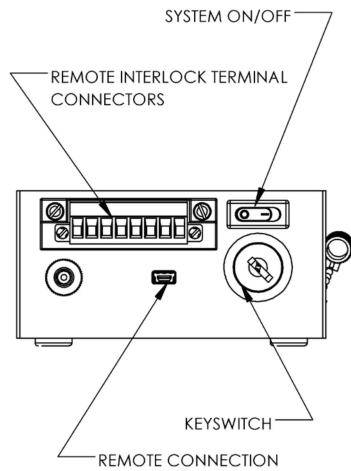
## Wavelength Stability



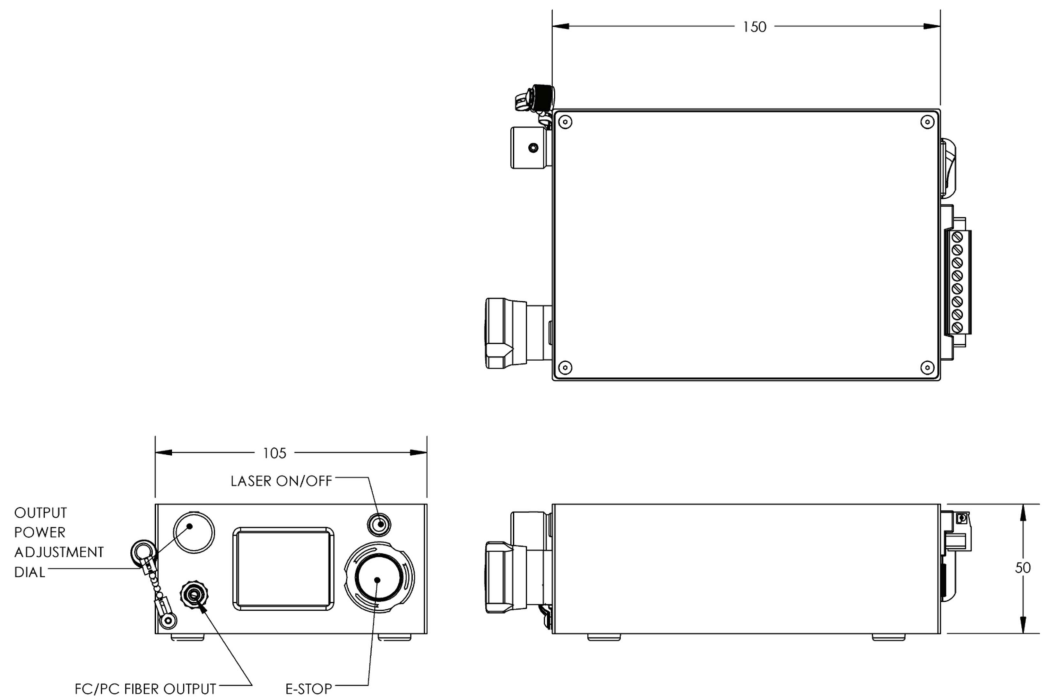
## Optical Spectrum (Sample)



## Back Panel



## Outline Drawing (all dimensions in mm)



## Model Numbers

BT- $\lambda\lambda\lambda$ -PLR-Power-FC/PC

BT- $\lambda\lambda\lambda$ -PLR-Power-SMA (includes FC/PC-SMA Adapter Cable)



850 E. Duarte Rd. Monrovia, CA 91016  
626-357-9600 (Tel)  
626-513-7494 (Sales Fax)

For more information about Ondax products and the name of a local representative or distributor, visit [www.ondax.com](http://www.ondax.com), email [sales@ondax.com](mailto:sales@ondax.com), or call (626) 357-9600. Specifications subject to change without notice. Each purchased laser is provided with test data. Please refer to this data before using the laser.

© 2017 Ondax, Inc.