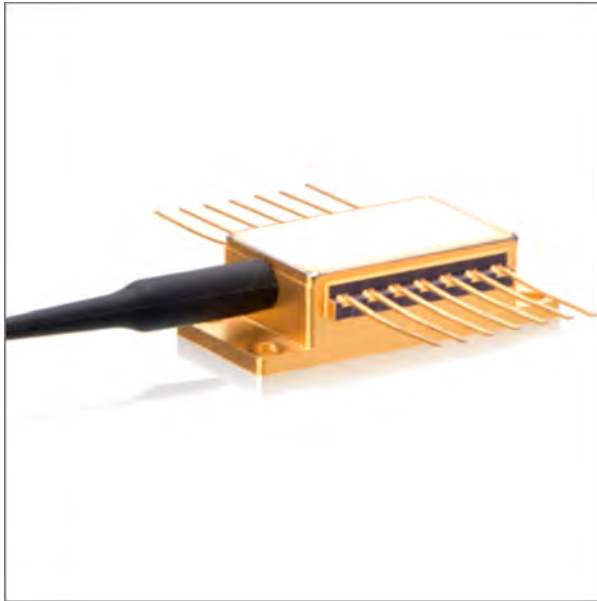


405nm, 300mW, Butterfly Packaged Laser Diode with Multimode Fiber Pigtail



Features

- 405nm, 300mw Output
- 105 μ m Multimode Fiber, NA 0.22
- FC/PC Fiber Connector
- 14-Pin Butterfly Package
- Integrated TEC, Thermistor, and Monitor Photodiode

LASER LAB SOURCE

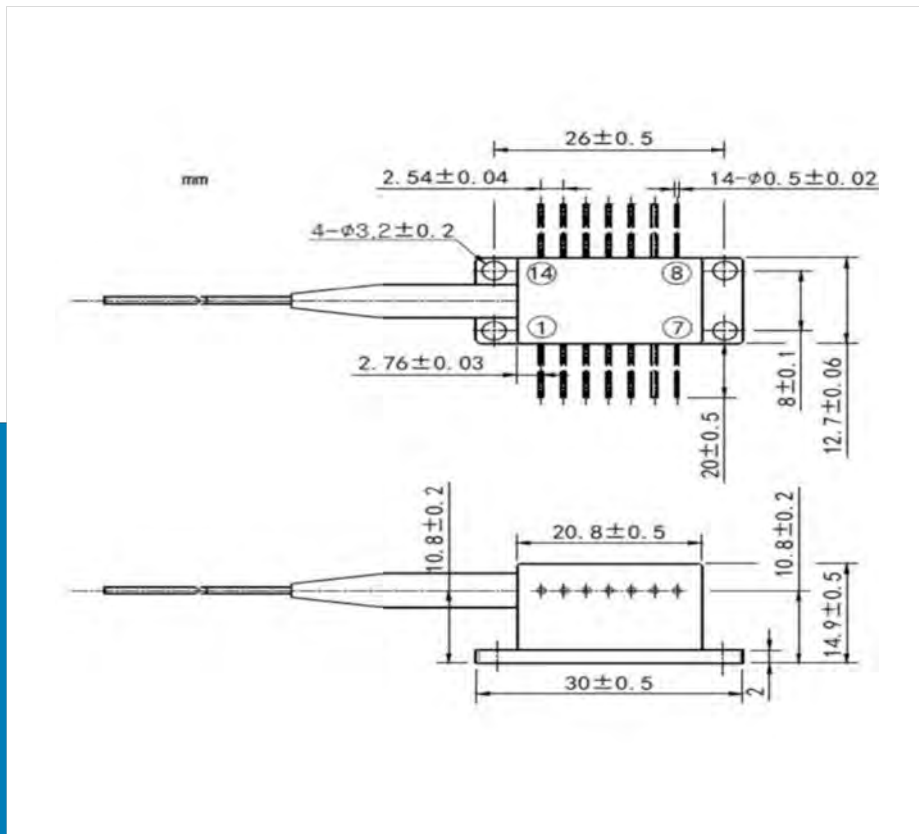
World Leading Products for **Laser Scientists & Engineers**

405NM-300MW Product Overview:

These high stability fiber coupled laser diodes are designed and manufactured to meet the most demanding R&D and industrial applications. Proprietary design, packaging, and fiber coupling processes produce laser diodes with very high stability and low noise. Each laser diode is subject to extensive testing and burn-in before shipment to ensure the highest possible levels of quality and long term reliability.

Butterfly Package Device Features

This laser is offered in an industry-standard 14-pin butterfly laser package, and includes integrated photodiode, thermoelectric cooler, and thermistor. This laser is provided with 105 μm multimode fiber, NA 0.22, and terminated with an FC connector. Other options are available; inquire for options and details.



OPTICAL SPECIFICATIONS AT 25°C

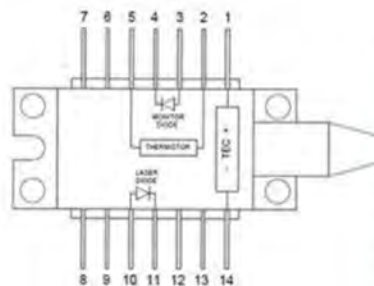
- Center Wavelength: 405 nm \pm 10 nm
- Output Power: 300 mW
- Wavelength Temperature Coefficient: 0.05 nm/°C
- Spectral Width (FWHM): 2.0 nm

ELECTRICAL SPECIFICATIONS AT 25°C

- Operating Current: 360 mA
- Threshold Current: 140 mA
- Operating Voltage: 4.5 V
- TEC Current: 2.0 A (max)
- TEC Voltage: 8.0 V (max)

PACKAGE AND FIBER SPECIFICATIONS

- 14-Pin Butterfly Package
- Integrated Photodiode, TEC, and Thermistor
- Fiber Type: Multimode
- Fiber Core Diameter: 105 μ m
- Fiber NA: 0.22
- Connector: FC/PC (others on request)



No	Description	No	Description
1	TEC Anode	14	TEC Cathode
2	Thermistor	13	n/c
3	Monitor PD Anode	12	n/c
4	Monitor PD Cathode	11	LD Cathode
5	Thermistor	10	LD Anode
6	n/c	9	n/c
7	n/c	8	n/c