

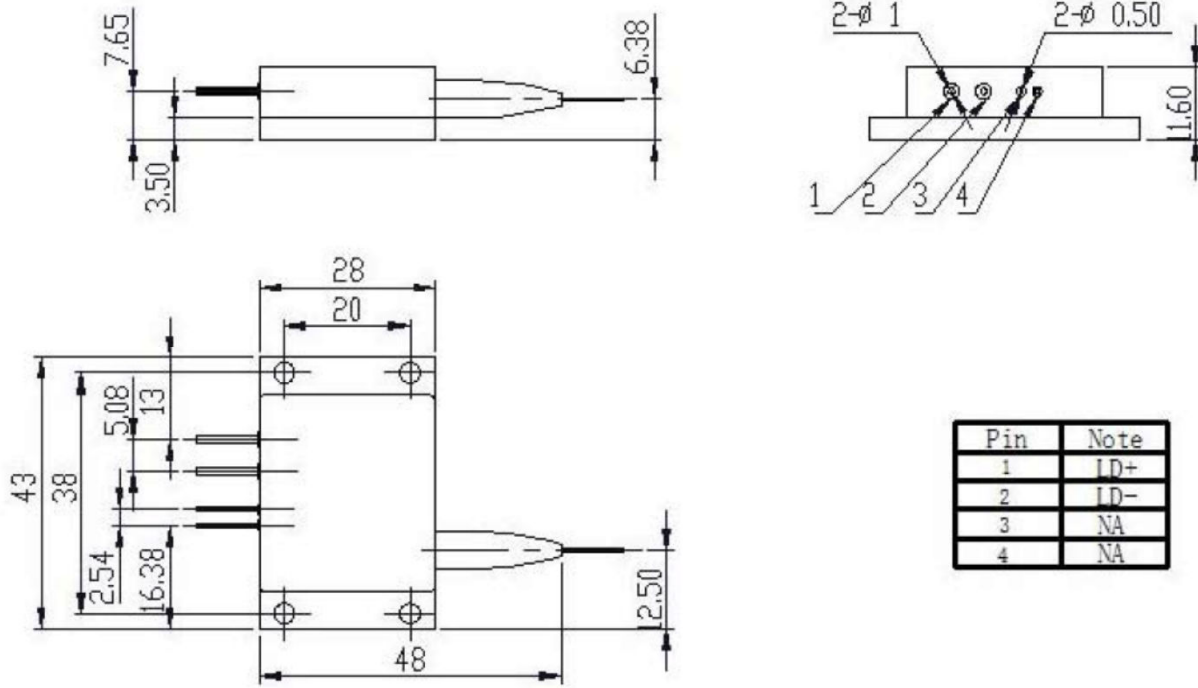
Item Number: 8809-0023**Item Description: 915nm, 30W, 105µm fiber-pigtailed diode laser module**

	Unit	Min	Typical	Max
Optical				
Nominal CW Output Power	W	30.0	-	-
Wavelength	nm	905	915	925
Spectral Width (FWHM)	nm	-	6.0	-
Wavelength Temperature Coefficient	nm/° C	-	0.3	-
Slope Efficiency	W/A	-	2.7	-
Power within 0.15 NA	%	-	95	-
Electrical				
Power Conversion Efficiency	%	-	48	-
Operating Current	A	-	11.0	12.0
Threshold Current	A	-	0.6	0.7
Maximum Operating Voltage	V	-	5.1	5.8
Maximum Reverse Voltage	V	-	7.5	-
Fiber data				
Fiber Buffer Diameter	µm	-	245	-
Fiber Cladding Diameter	µm	-	125	-
Fiber Core Diameter	µm	-	105	-
Fiber NA	-	-	0.22	-
Fiber Length	m	-	1.0	-
Fiber Termination	-	-	Bare	-
Fiber Bend Radius	mm	33	-	-
Feedback Isolation				
Wavelength Range	nm	-	1040~1200	-
isolation	dB	-	30	-
Mechanical and integration				
Housing Dimension			See Drawing	
Lead Soldering Temp			260° C for < 10 seconds	
Environmental				
ESD	V	-	-	500
Operating Case Temperature	° C	15	25	35
Operating Humidity	%	15		75
Storage Temperature Range	° C	-20		70

Notes

1. Specified performance to be tested at 25C package case temperature
2. Non-condensing operating and storage environment required

Outline Dimensions and Pin-out



Pin	Note
1	ID+
2	ID-
3	NA
4	NA

