

Water-Cooled, QCW, Fiber-Coupled Multi-Bar Module

Features

- QCW operation and long pulse operation
- Single wavelength
- High coupling efficiency
- Integrated protection glass (blast shield)
- Water cooling using deionized water

Optional Accessories

- Temperature sensor
- Fiber connection control
- Pilot beam



Device Specification

Optical Parameters

Center Wavelength Range ³	nm	790 to 980
Center Wavelength Tolerance	nm	±10
Output Power ²	W	600
Spectral Width (FWHM)	nm	<7
Slope Efficiency	W/A	>10
Wavelength Temp. Coefficient	nm/°C	~0.3

Fiber Parameters

Numerical Aperture	NA	0.22
Fiber Core	µm	800
Fiber Connector		SMA with Free Standing Fiber Tips

Electrical Parameters¹

Power Conversion Efficiency	%	>40
Threshold Current (I_{TH})	A	<15
Maximum Operating Current (I_{OP})	A	<80
Operating Voltage (V_{OP})	V	<24
Duty Cycle (DC)	%	<30

Thermal Parameters

Operating Temperature ^{2, 3, 4}	°C	+20 to +30
Storage Temperature ^{3,4}	°C	0 to +55
Transportation Temperature		-20 to +55
Coolant Flow Rate	l/h	216 to 264
Operating Water Temperature	°C	+20 to +25
Maximum Particle Size	µm	<5 / Deionized Water ⁵
Recommended Cooling Capacity	W	>400

Mechanical Parameters

Weight	kg	<2
--------	----	----

¹Data at 20°C cold water temperature, unless otherwise stated.

²Reduced lifetime if used above nominal operating conditions.

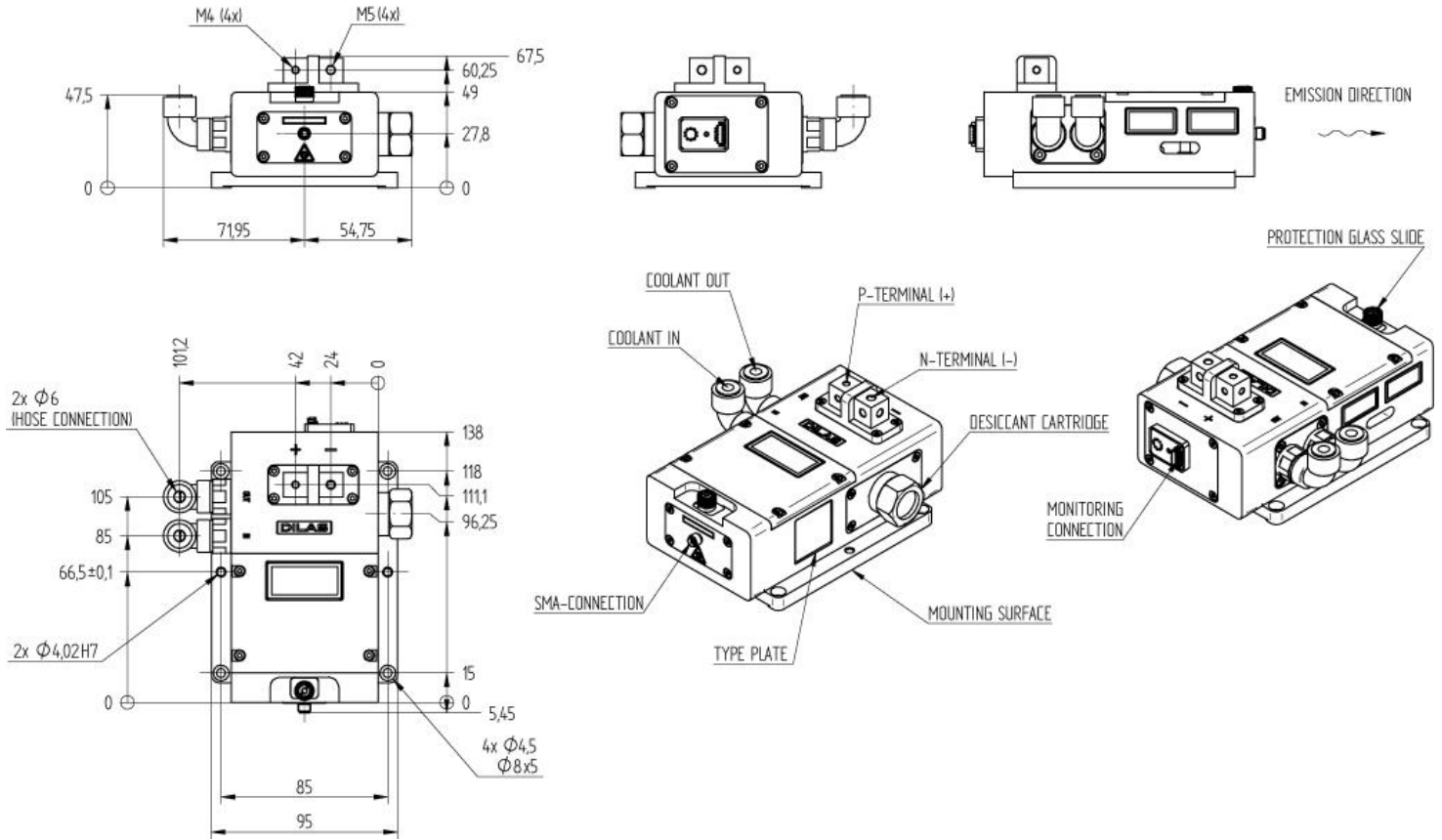
³Others available upon request.

⁴A non-condensing environment is required for storage and operation below the ambient dew point.

⁵Follow DILAS cooling water specifications.

Water-Cooled, QCW, Fiber-Coupled Multi-Bar Module

Package Dimension



©2012 DILAS. All rights reserved. DILAS reserves the right to change product specifications without notice. For handling precautions, please reference the general handling instruction manual.

For complete details, please contact your local DILAS sales representative or visit our website at www.DILAS.com.

Europe
DILAS Diodenlaser GmbH
Galileo-Galilei-Straße 10
55129 Mainz
Germany
Phone: +49 (6131) 9226 0
Fax: +49 (6131) 9226 257
Email: sales@DILAS.de

North America
DILAS Diode Laser, Inc.
9070 South Rita Road
Suite 1500
Tucson, AZ 85747
Phone: +1 (520) 232-3484
Fax: +1 (520) 232-3499
Email: sales@DILAS-INC.com

Asia
DILAS Diodenlaser GmbH
China Sales Office
Room 206, Sunplus Technology, Bldg. 2
No. 1077 Zu Chongzhi Road
Hi-Tech Park, Shanghai 201203,
P.R. China
Phone: +86 (0) 21-6855-2216
Fax: +86 (0) 21-5027-3793
Email: sales@dilas-china.com.cn