

105µm, Conduction-Cooled, Single Bar, Fiber-Coupled Module

Features

- High coupling efficiency
- High-brightness
- Conduction-cooled
- Sealed housing



Device Specification

Optical Parameters ¹	Units			
Center Wavelength (Range) ³	nm	793	808	976
Center Wavelength Tolerance	nm	±3	±3	±3
Output Power ²	W	32	35	40
Number of bars	#	1	1	1
Spectral Width (FWHM)	nm	<4	<4	<5
Slope Efficiency	W/A	≥0.8	≥0.8	≥0.8
Wavelength Temp. Coefficient	nm/°C	~0.25	~0.27	~0.34

Fiber Parameters

Numerical Aperture	NA	0.22
Fiber Core Diameter	µm	105
Core/Cladding Relation	µm/µm	105/125
Fiber Connector		SMA or Pigtail; Not Detachable

Electrical Parameters¹

Power Conversion Efficiency	%	>38	>38	>38
Threshold Current (I _{TH})	A	<8	<8	<6
Operating Current (I _{OP})	A	<60	<60	<65
Operating Voltage (V _{OP})	V	<1.8	<1.8	<1.8

Thermal Parameters

Operating Temperature Range ^{3, 4}	°C	+20 to 30	+20 to 30	+20 to 30
Storage Temperature Range ⁴	°C	0 to 55	0 to 55	0 to 55
Recommended Head Sink Capacity Per Bar	W	≥70	≥70	≥70

¹Data at 25°C cold plate temperature.

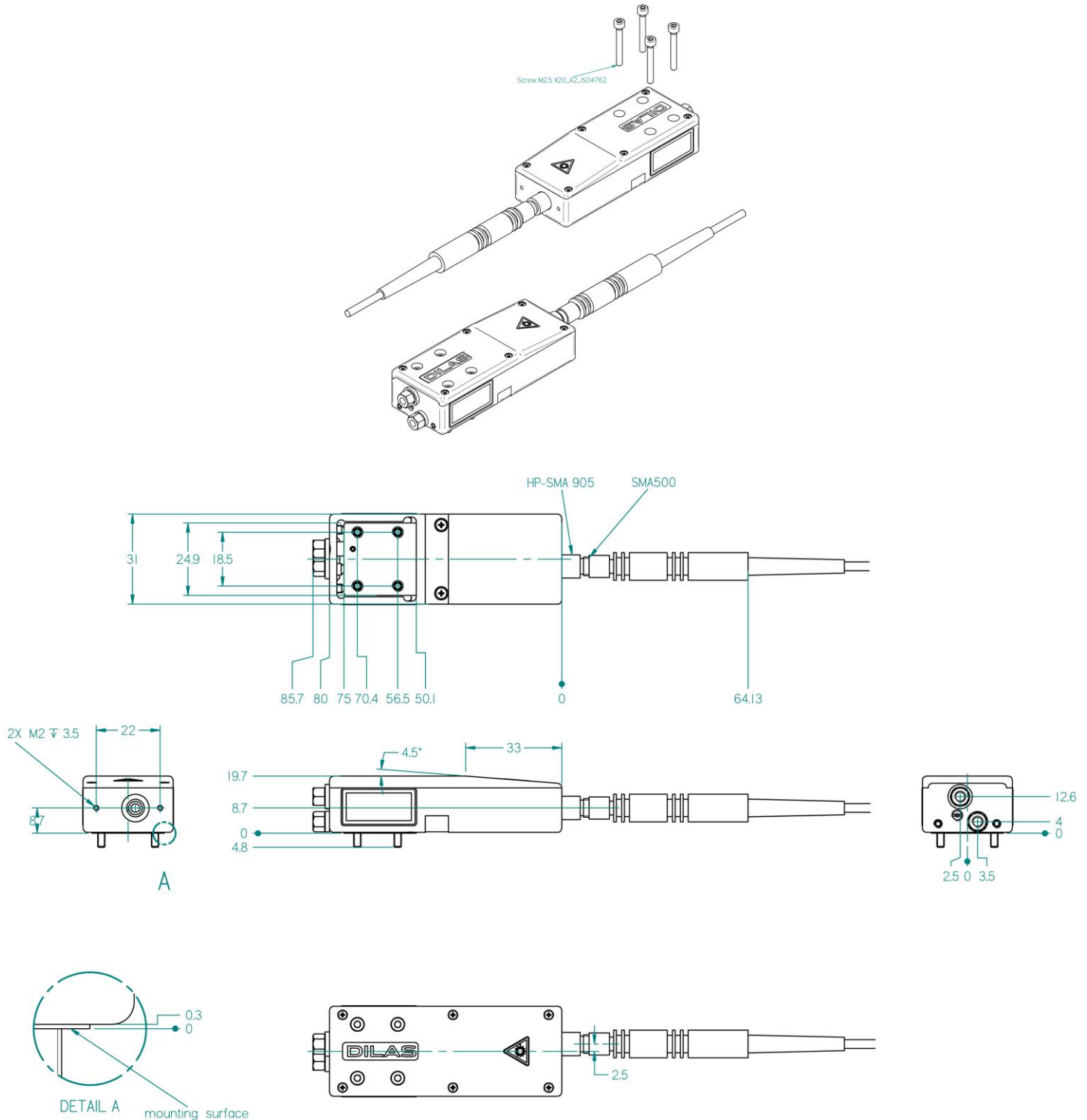
²Reduced lifetime if used above nominal operating conditions.

³Others available upon request.

⁴A non-condensing environment is required for storage and operation below the ambient dew point.

105µm, Conduction-Cooled, Single Bar, Fiber-Coupled Module

Package Dimension



©2012 DILAS. All rights reserved. DILAS reserves the right to change product specifications without notice. For handling precautions, please reference the general handling instruction manual.

For complete details, please contact your local DILAS sales representative or visit our website at www.DILAS.com.

Europe
DILAS Diodenlaser GmbH
Galileo-Galilei-Straße 10
55129 Mainz
Germany
Phone: +49 (0)6131 9226 0
Fax: +49 (0)6131 9226 257
Email: sales@DILAS.de

North America
DILAS Diode Laser, Inc.
9070 South Rita Road
Suite 1500
Tucson, AZ 85747
Phone: +1 (520) 232-3480
Fax: +1 (520) 232-3499
Email: sales@DILAS-INC.com

China & Taiwan
DILAS Diodenlaser GmbH
China Sales Office
Room 206, Sunplus Technology, Bldg. 2
No. 1077 Zu Chongzhi Road
Hi-Tech Park, Shanghai 201203,
P.R. China
Phone: +86 (0) 21-6855-2216
Fax: +86 (0) 21-5027-3793
Email: sales@dilas-china.com.cn