

9xxnm, 400µm, Conduction-Cooled, Fiber-Coupled, Multi-Bar Module

Features

- Conduction-cooled diode laser bars inside
- Single wavelength
- High coupling efficiency
- Scalable output power
- Industrial water cooling

Optional Accessories

- Integrated pointer laser and power meter
- Integrated NTC temperature sensor
- Fiber detection sensor



Device Specification

Optical Parameters ¹	Units			
Center Wavelength Range ³	nm		9xx	
Center Wavelength Tolerance	nm		±3	
Output Power ²	W	300	400	500
Spectral Width (FWHM)	nm		<4	
Slope Efficiency	W/A	>7	>8	>10
Wavelength Temp. Coefficient	nm/°C		~0.34	

Fiber Parameters		
Numerical Aperture	NA	0.22
Fiber Core Diameter	µm	400
Fiber Connector		QBH/HighYAG

Electrical Parameters ¹				
Power Conversion Efficiency	%		>45	
Threshold Current (I _{TH})	A		<7.5	
Operating Current (I _{OP})	A		<60	
Operating Voltage (V _{OP})	V	<16	<20	<24

Thermal Parameters				
Operating Temperature ^{2, 3, 4} (Cooling Plate)	°C		+20 to +25	
Operating Temperature ^{2, 3, 4} (Diode Laser Module)	°C		+30 to +35	
Storage Temperature ^{3, 4}	°C		0 to +55	
Coolant Flow Rate	l/h		250 to 400	
Operating Water Temperature	°C		+20 to +25	
Maximum Particle Size	µm		<10	
Recommended Cooling Capacity	W	>660	>800	>940

¹Data at 20°C cold plate temperature, unless otherwise stated.

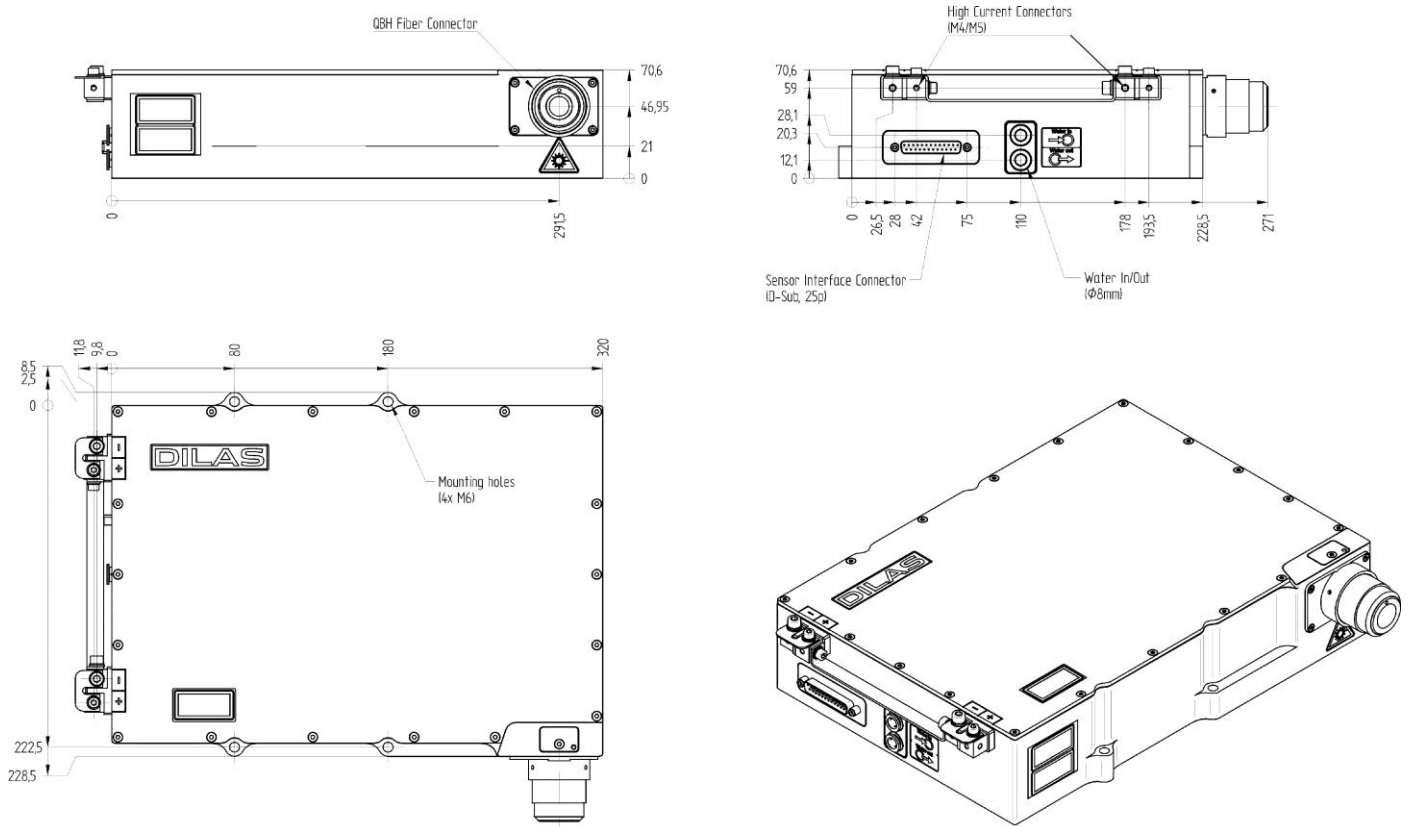
²Reduced lifetime if used above nominal operating conditions.

³Others available upon request.

⁴A non-condensing environment is required for storage and operation below the ambient dew point.

9xxnm, 400 μ m, Conduction-Cooled, Fiber-Coupled Multi-Bar Module

Package Dimension



©2012 DILAS. All rights reserved. DILAS reserves the right to change products specifications without notice. For handling precautions, please reference the general handling instruction manual.

For complete details, please contact your local DILAS sales representative or visit our website at www.DILAS.com.

Europe
DILAS Diodenlaser GmbH
 Galileo-Galilei-Straße 10
 55129 Mainz
 Germany
 Phone: +49 (0)6131 9226 0
 Fax: +49 (0)6131 9226 257
 Email: sales@DILAS.de

North America
DILAS Diode Laser, Inc.
 9070 South Rita Road
 Suite 1500
 Tucson, AZ 85747
 Phone: +1 (520) 232-3480
 Fax: +1 (520) 232-3499
 Email: sales@DILAS-INC.com

China & Taiwan
DILAS Diodenlaser GmbH
 China Sales Office
 Room 206, Sunplus Technology, Bldg. 2
 No. 1077 Zu Chongzhi Road
 Hi-Tech Park, Shanghai 201203,
 P.R. China
 Phone: +86 (0) 21-6855-2216
 Fax: +86 (0) 21-5027-3793
 Email: sales@dilas-china.com.cn