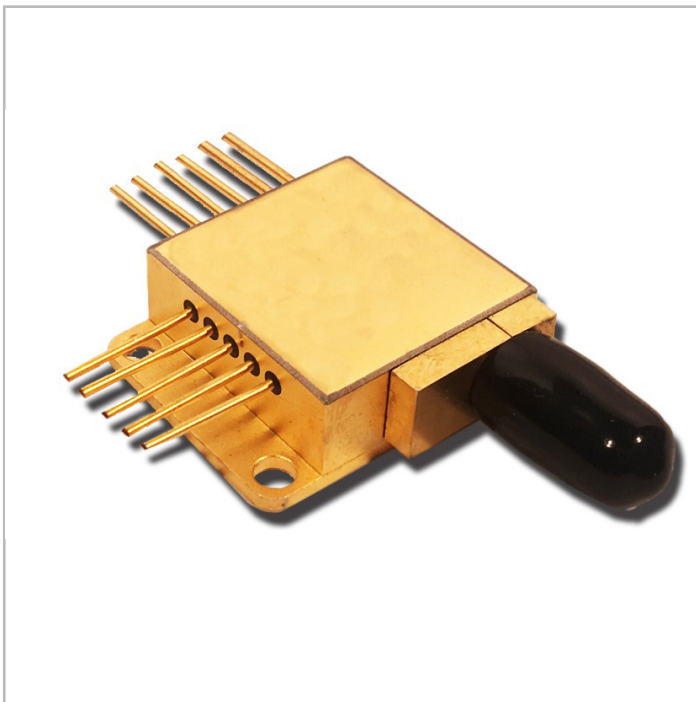




Offered by  
**LASER LAB SOURCE**

manufactured by  **RealLight**

## 980nm, 10W Laser Diode Detachable Fiber HHL-Package



### 980NM, 10W LASER DIODE FEATURES

- o Output Power (CW mode): 10 W
- o Spectral Width (FWHM): <6 nm
- o 11-Pin High Heat Load Package
- o 2 mW Red Aiming Laser
- o Removable Optical Fiber, 200 $\mu$ m Core
- o SMA905 Fiber Connector

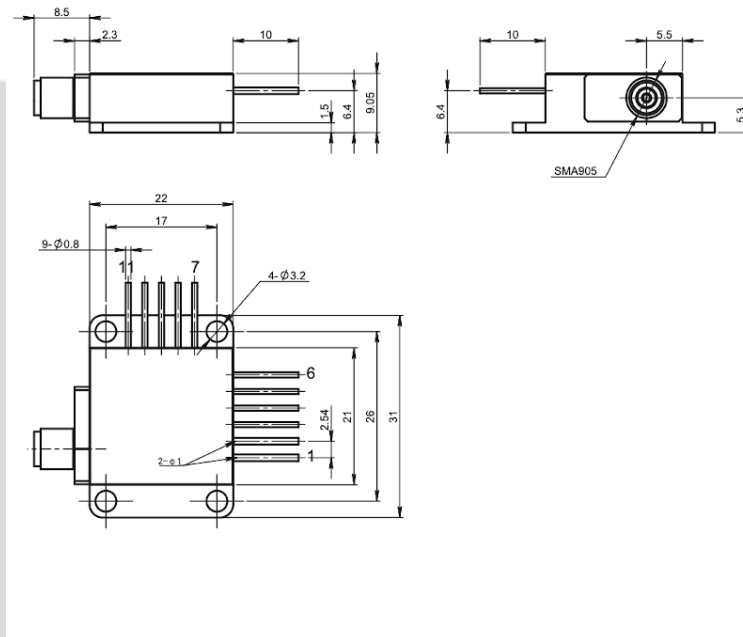


## HIGH POWER 980NM LASER DIODE

These high power 980nm laser diodes are packaged in a 11-pin high heat-load (HHL) package. The integrated thermistor helps maintain the laser at a safe operating temperature when the laser is mounted to an active temperature-controlled mount. The monitor photodiode allows for constant-power mode operation, and the red aiming laser helps when integrating the laser.

The HHL package is designed to easily mount to a heatsink, and features an SMA connector to connect the detachable 200 $\mu$ m core optical-core fiber (NA 0.22).

RealLight lasers are known for their robust construction, and long operational life-times.



## SPECIFICATIONS

- Optical Output Power: 10 Watts
- Wavelength: 980 nm ( $\pm 10$  nm)
- Spectral Width:  $\leq 6$  nm
- Threshold Current (typ) 0.5 Amps
- Operating Current: (typ): 12 Amps
- Operating Voltage (typ): 2 volts
- Typical Temperature Tuning Coefficient: 0.3 nm/ $^{\circ}$ C
- Slope Efficiency /  $\eta_{es}$  (W/A): 0.9
- Fiber Core: 200  $\mu$ m
- Connector: SMA905

## AIMING BEAM

- Wavelength: 650 nm ( $\pm 10$  nm)
- Output power: 2 mW

11RTR			
Pin	Function	Pin	Function
1	Laser (+)	7	Thermistor
2	Laser (-)	8	Thermistor
3	PD(N)	9	FCD PD(P)
4	PD(P)	10	FCD LED(N)
5	Aiming Beam(-)	11	FCD LED(P)
6	Aiming Beam(+)		FCD PD(N)

## **PRODUCT SALES AND SERVICE:**

Orders for this product are fulfilled by Laser Lab Source in North America and select International regions. It is manufactured by RealLight, Beijing, China.

## **PRODUCT WARRANTY:**

This product is sold with a full one year warranty. It is warranted to be free from defects in material and/or workmanship for a period of one year from the date of shipment.



Laser Lab Source, a division of Research Lab Source Inc.  
670 S. Ferguson St., Suite 3  
Bozeman, MT 59718 USA

Phone: 406-219-1472

[www.LaserLabSource.com](http://www.LaserLabSource.com)