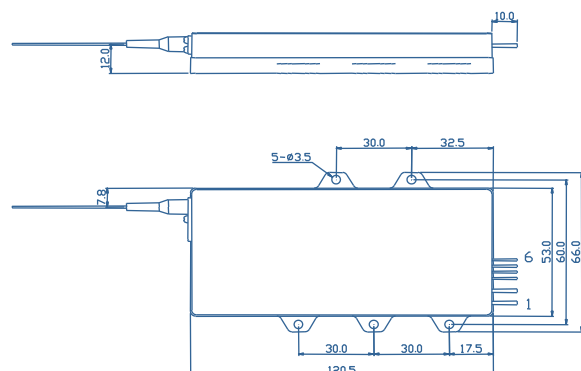
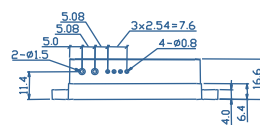


Model		M976±10-250-F200/22-DK-A
Optical Parameters	Unit	Typical
Output Power	W	250
Central Wavelength	nm	976
Wavelength Tolerance	nm	± 10
Wavelength Temp. Coefficient	nm/°C	0.35
Wavelength Current Coefficient	nm/A	0.8
Fiber Parameters		
Fiber Core Diameter	µm	200
Fiber Cladding Diameter	µm	220
Numerical Aperture		0.22
Bare Fiber Length	m	2 or customized
Fiber connector (optional)	-	HP-SMA905
Electric Parameters		
Threshold Current	A	1.0
Operating Current	A	20.0
Operating Voltage	V	28.0
Slope Efficiency	W/A	13.0
Power Conversion Efficiency	%	44
Accessories		
Thermistor	kΩ	10@25°C
Red aiming		2mW or higher
Other Parameters		
Operating Temperature (NTC)	°C	25 – 35
Operating Humidity	%	< 75
Storage Temperature	°C	-20 – +80
Soldering Temperature	°C	250 (10s)

Pin	Function
1	Laser diode anode (+)
2	Laser diode cathode (-)
3	Red pilot anode (+)
4	Red pilot cathode (-)
5	Thermistor
6	Thermistor



Compliance with Regulatory Requirements: This industrial laser is an OEM version of a laser diode. As such, it is intended only for integration into other equipment. This laser does not comply with IEC and CDRH requirements. The customer is responsible for IEC and CDRH certifications of the system that incorporates this industrial laser.

