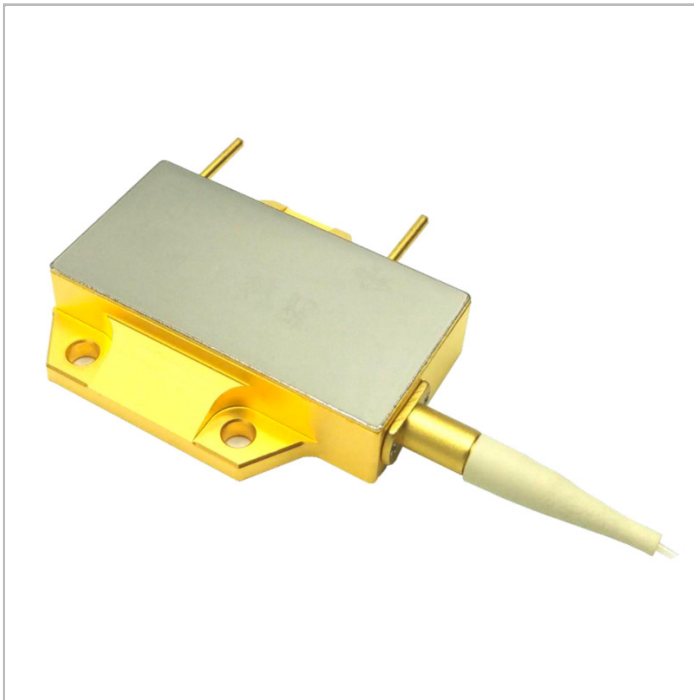




Offered by
LASER LAB SOURCE

manufactured by
**Xinghan
Laser Technology**

976nm, Wavelength Stabilized Laser Module 27W Output Power, 105 μ m Fiber-Core



976NM, 27W LASER DIODE

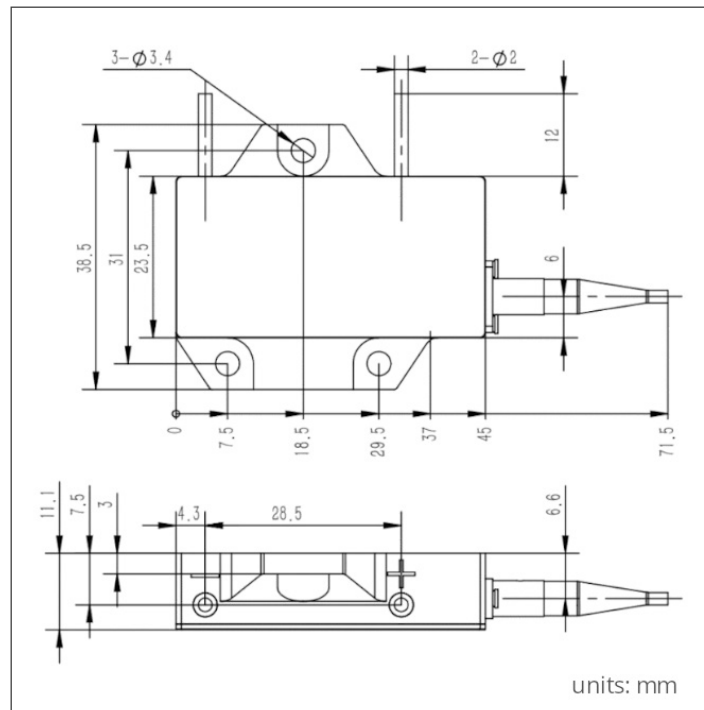
- o Output Power (CW mode): 27 W
- o Spectral Width (FWHM): < 0.5 nm (typ)
- o High Heat Load Package
- o Optical Fiber-Coupled, 105 μ m Core
- o Bare-Fiber Termination

HIGH POWER 976NM LASER DIODE MODULE, 105 μ m FIBER

These high power 976nm laser diodes are wavelength stabilized for precision output, and are packaged in a high heat-load package. The package is designed to easily mount to a heatsink.

The laser is provided with 105 μ m core optical-core fiber (NA 0.22), with a bare-fiber termination.

Xinghan lasers are known for their robust construction, and long operational life-times.



OPTICAL SPECIFICATIONS

- Output Power: 27 Watts
- Center Wavelength: 976nm (± 0.5 nm)
- Spectral Width (FWHM): ≤ 1 nm (0.5nm typ)
- 95% Power in NA: 0.17 NA
- Back Reflection Isolation Range: 1020 - 1200 nm
- Back Reflection Isolation: > 30 dB



FIBER SPECIFICATIONS

- Fiber Core Diameter: 105 μ m
- Fiber Clad Diameter: 125 μ m
- Numerical Aperture: 0.22 NA
- Fiber Length: 1.5 ~ 2.0 meters
- Loose Tubing Diameter: 900 μ m
- Loose Tubing length: 1.2 ~ 1.5 meters
- Fiber Connector: Bare Fiber / SC Ceramic Ferrule
- Fiber Bend Radius: 30 mm

ELECTRICAL SPECIFICATIONS

- Maximum Operating Current: 10 Amps
- Maximum Operational Voltage: 7 Volts

THERMAL SPECIFICATIONS

- Operating Temperature Range: 15°C-35°C
- Storage Temperature Range: -30°C-70°C
- Lead Soldering Temperature: 300°C for 10 Seconds

PRODUCT SALES AND SERVICE:

Orders for this product are fulfilled by Laser Lab Source in North America and select International regions. It is manufactured by Xinghan Laser, Beijing, China.

PRODUCT WARRANTY:

This product is sold with a full one year warranty. It is warrantied to be free from defects in material and/or workmanship for a period of one year from the date of shipment.



Laser Lab Source, a division of Research Lab Source Inc.
670 S. Ferguson St., Suite 3
Bozeman, MT 59718 USA

Phone: 406-219-1472

www.LaserLabSource.com