

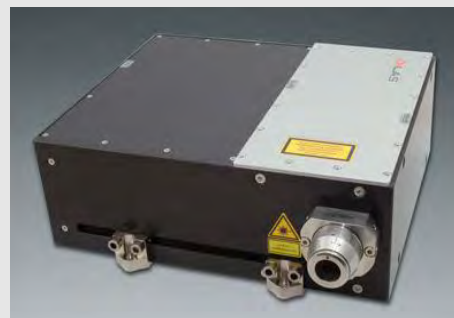
Up to 600W, 976nm, Fiber-Coupled, Conduction-Cooled, Tailored Bar Module

Features

- Conduction-cooled diode laser bars inside
- Single wavelength
- High coupling efficiency
- Scalable output power
- Industrial water cooling

Optional Accessories

- Integrated pointer laser and power meter
- Integrated NTC temperature sensor
- Fiber plug control



Device Specification

| Optical Parameters ¹ | Units | | |
|---------------------------------|-------|--|------------------|
| Center Wavelength | nm | | 976 ³ |
| Wavelength Tolerance | nm | | ±2 |
| Output Power ² | W | | 600 ⁵ |
| Spectral Width (FWHM) | nm | | <5 |
| Slope Efficiency | W/A | | >20 |

| Fiber Parameters | | | |
|---------------------|----|------|------|
| Fiber Core Diameter | µm | 200 | 400 |
| Numerical Aperture | NA | 0.22 | 0.11 |
| Fiber Connector | | | QBH |

| Electrical Parameters ¹ | | |
|--------------------------------------|---|------|
| Power Conversion Efficiency | % | >45 |
| Threshold Current (I _{TH}) | A | <3.5 |
| Operating Current (I _{OP}) | A | <40 |
| Operating Voltage (U _{OP}) | V | <50 |

| Thermal Parameters | | |
|--|-----|------------|
| Operating Temperature ^{2, 3, 4} | °C | +20 to +25 |
| Storage Temperature ⁴ | °C | +0 to +55 |
| Transportation Temperature | °C | -20 to +55 |
| Coolant Flow Rate | l/h | 600 |
| Operating Water Temperature | °C | +20 to +25 |
| Maximum Particle Size | µm | <10 |

¹Data at 25°C cold water temperature, unless otherwise stated.

²Reduced lifetime if used above nominal operating conditions.

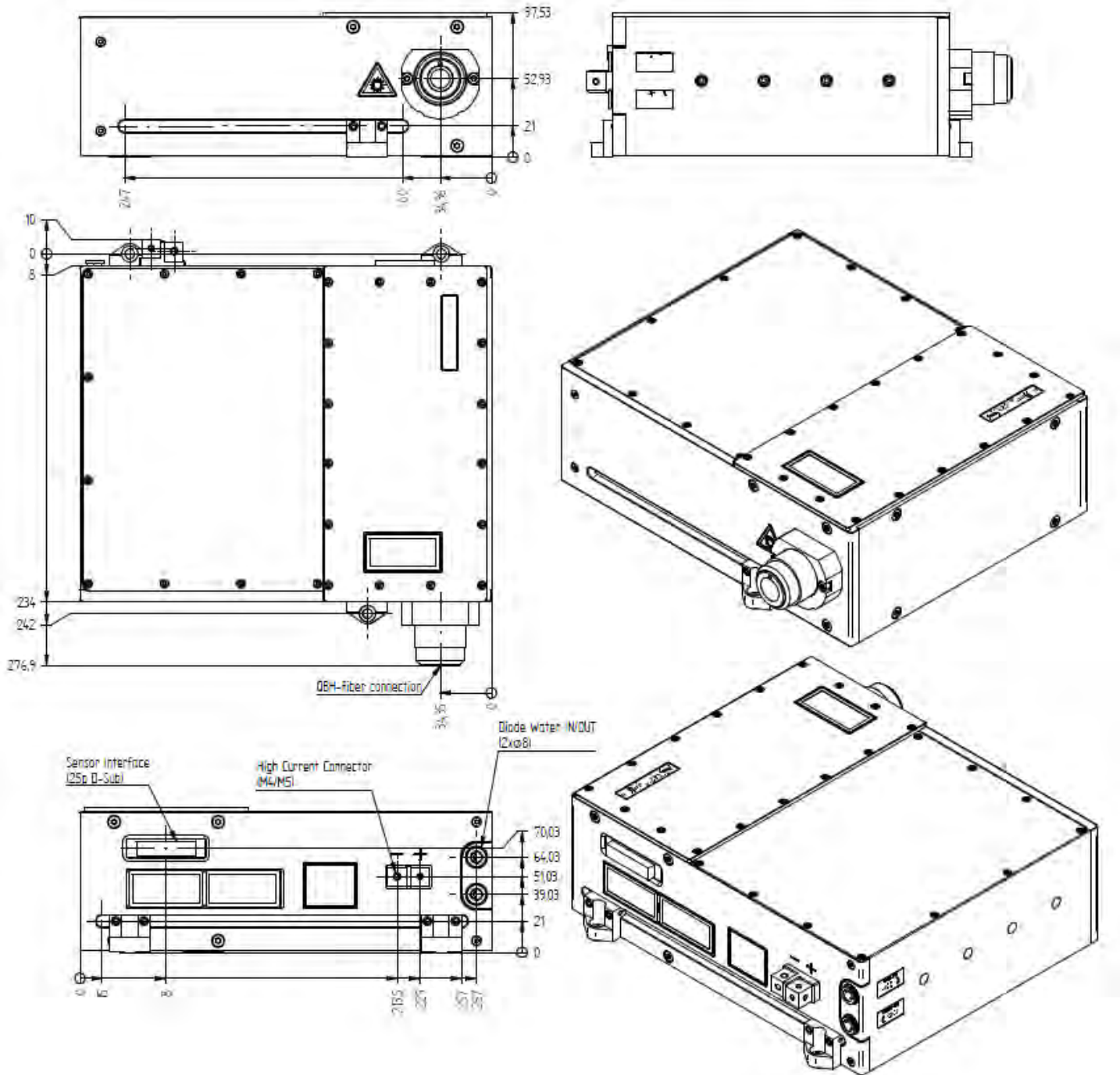
³Others available upon request.

⁴A non-condensing environment is required for storage and operation below the ambient dew point.

⁵For R&D purpose available up to 800W.

Up to 600W, 976nm, Fiber-Coupled, Conduction-Cooled, Tailored Bar Module

Package Dimension



©2012 DILAS. All rights reserved. DILAS reserves the right to change product specifications without notice. For handling precautions, please reference the general handling instruction manual.

For complete details, please contact your local DILAS sales representative or visit our website at www.DILAS.com.

Europe
DILAS Diodenlaser GmbH
Galileo-Galilei-Straße 10
55129 Mainz
Germany
Phone: +49 (6131) 9226 0
Fax: +49 (6131) 9226 257
Email: sales@DILAS.de

North America
DILAS Diode Laser, Inc.
9070 South Rita Road
Suite 1500
Tucson, AZ 85747
Phone: +1 (520) 232-3484
Fax: +1 (520) 232-3499
Email: sales@DILAS-INC.com

Asia
DILAS Diodenlaser GmbH
China Sales Office
Room 206, Sunplus Technology, Bldg. 2
No. 1077 Zu Chongzhi Road
Hi-Tech Park, Shanghai 201203,
P.R. China
Phone: +86 (0) 21-6855-2216
Fax: +86 (0) 21-5027-3793
Email: sales@dilas-china.com.cn