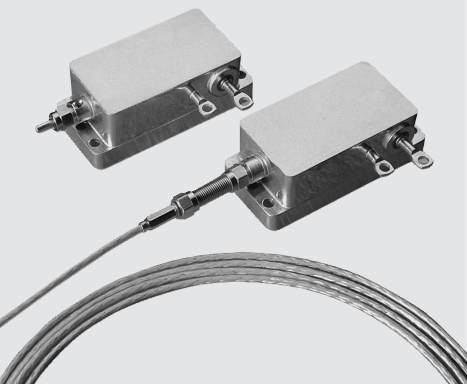


# FAP 600 Series

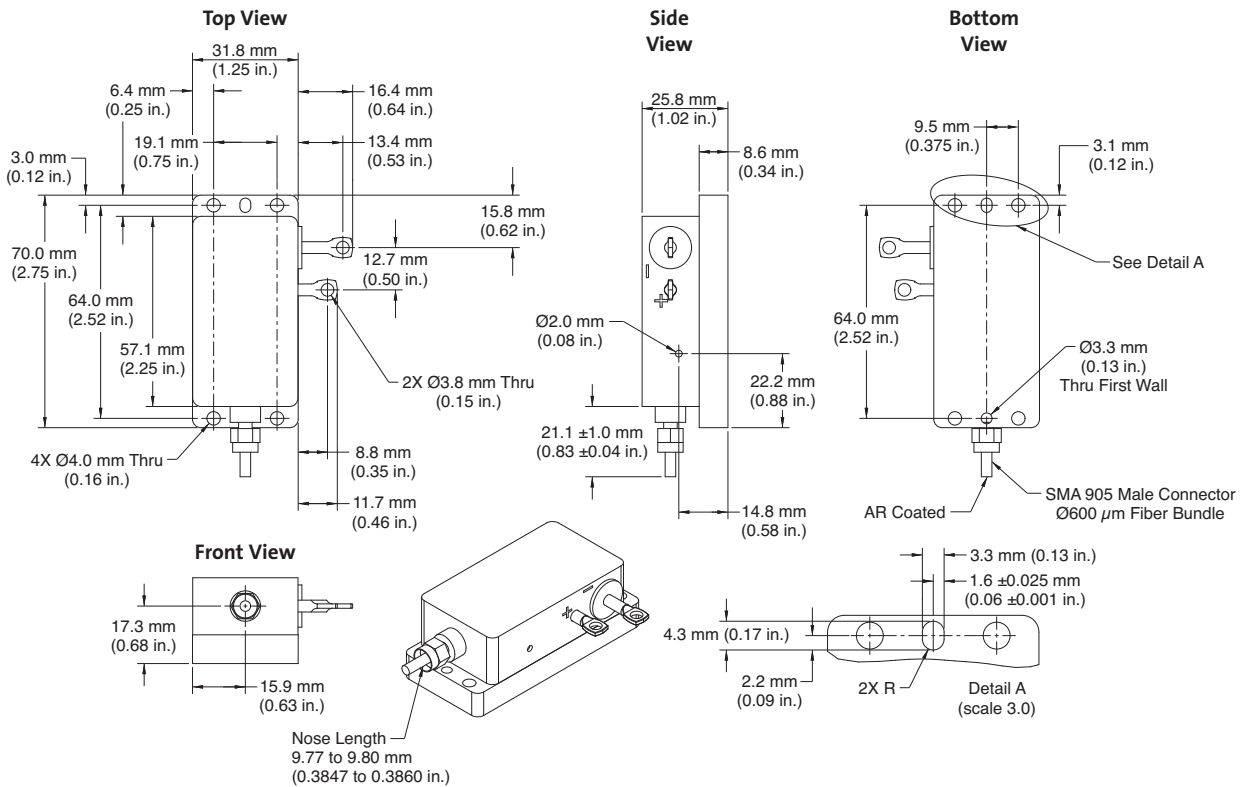
## High-Brightness Fiber-Coupled Bars

### Features

- High reliability
- High efficiency
- High brightness
- Rugged construction



### Mechanical Specifications



**Superior Reliability & Performance**

## FAP 600 Series

### High-Brightness Fiber-Coupled Bars

<b>Device Specifications</b>	Part Number	1068164	1041807
	Description	FAP600-22W- 975.0to980.0-F<4.5-25C	FAP600-25W- 800 to 820nm
<b>Optical Specifications<sup>1</sup></b>	CW Output Power (W)	22	25
	Center Wavelength <sup>2</sup> (nm)	977	812.5
	Center Wavelength Tolerance (nm)	+3/-2	±7.5
	Spectral Width <sup>2</sup> (nm)	<4.5	<6.0
	Wavelength Temperature Coefficient (nm/°C)	0.35	0.28
	Beam Divergence <sup>3</sup> (NA)	<0.14	<0.16
	Beam Diameter (µm)	600	600
<b>Electrical Characteristics - Typical</b>	Slope Efficiency (W/A)	>0.75	>0.9
	Conversion Efficiency (%)	>35	>35
	Threshold Current (A)	2 to 4	6 to 8
	Operating Current (A)	<34	<41
	Operating Voltage (V)	<2.1	<2.0
	Recommended Hookup Wire (gauge)	8 or heavier	8 or heavier
<b>Thermal Specifications</b>	Thermal Resistance (typical)(°C/W)	0.7	0.7
	Case Operating Temperature (°C)	-20 to 30	-20 to 30
	Case Storage Temperature (°C)	-20 to 60	-20 to 60
<b>Recommended Heat Sink</b>	Capacity (W)	100	100
	Thermal Resistance (°C/W)	<0.1	<0.1
<b>Mechanical Specifications</b>	Weight	300 g (10.3 oz.)	300 g (10.3 oz.)
	Fiber Connector	SMA 905	SMA 905

<sup>1</sup> All values measured at case temperature (T<sub>c</sub>) = 25°C.

<sup>2</sup> Custom center wavelengths and custom spectral widths are available, some from stock. Consult your Coherent representative.

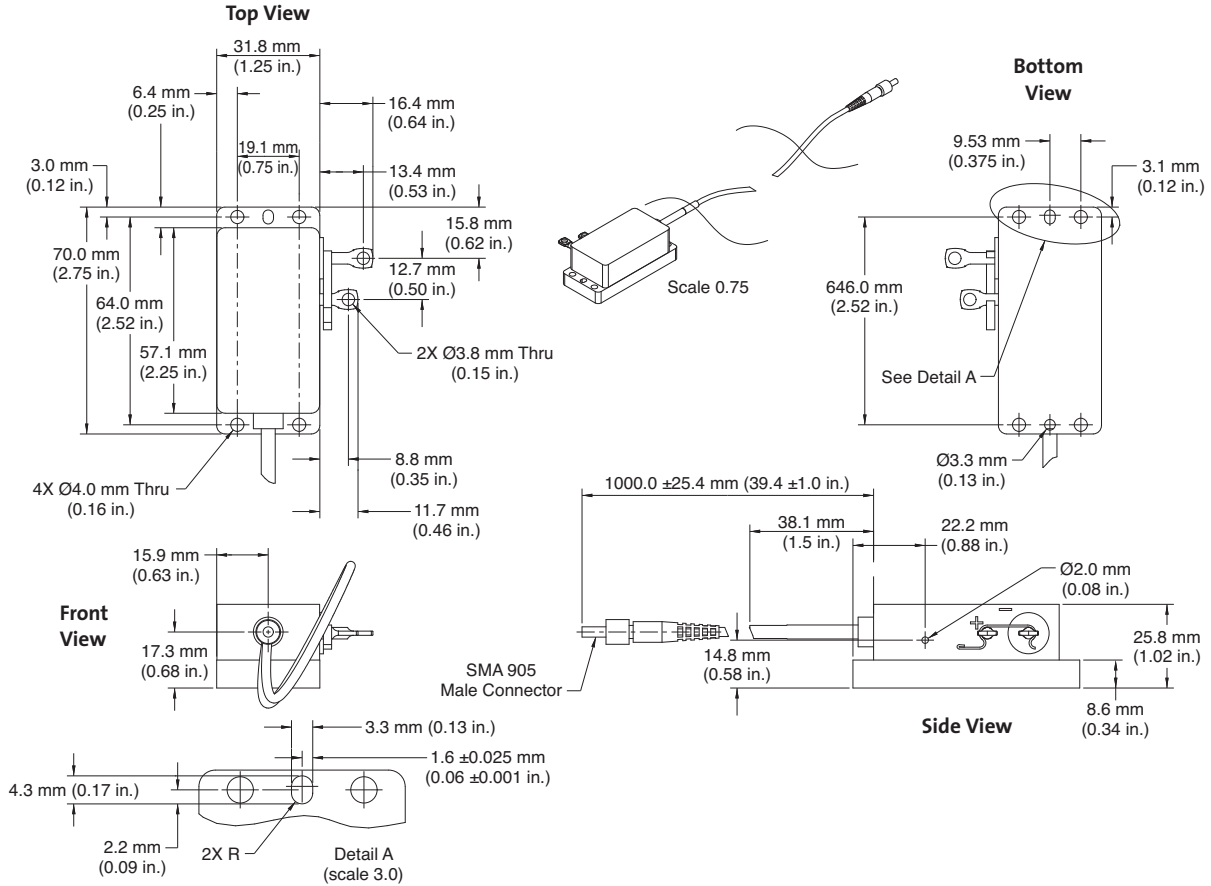
<sup>3</sup> The numerical aperture of the output beam is defined as the sine of the half-angle of the divergence cone that encircles 90% of the energy.

1041806	1041811	1057503	1041808
FAP600-25W- 805.0to811.0-F<3.5-25C	FAP 600-LB 22W	FAP600-30W	FAP 600-LB 25W
25	22	30	25
808	980	810	810
±3.0	±10	±10	±10
<3.5	<6.0	<6.0	<6.0
0.28	0.35	0.28	0.28
<0.16	<0.16	<0.14	<0.14
600	600	600	600
>0.9	>0.8	>0.9	>0.9
>40	>38	>40	>40
6 to 9	2 to 4	6 to 8	6 to 9
<36	<34	<46	<36
<2.0	<2.0	<2.0	<2.0
8 or heavier	8 or heavier	8 or heavier	8 or heavier
0.7	0.7	0.7	0.7
-20 to 30	-20 to 30	-20 to 30	-20 to 30
-20 to 60	-20 to 60	-20 to 60	-20 to 60
100	100	100	100
<0.1	<0.1	<0.1	<0.1
300 g (10.3 oz.)	300 g (10.3 oz.)	300 g (10.3 oz.)	300 g (10.3 oz.)
SMA 905	SMA 905	SMA 905	SMA 905

# FAP 600 Series

## High-Brightness Fiber-Coupled Bars

### Mechanical Specifications



Coherent follows a policy of continuous product improvement. Specifications are subject to change without notice.

Coherent's scientific and industrial lasers are certified to comply with the Federal Regulations (21 CFR Subchapter J) as administered by the Center for Devices and Radiological Health on all systems ordered for shipment after August 2, 1976.

Coherent offers a limited warranty for all Fiber Array Packages. For full details of this warranty coverage, please refer to the Service section at [www.Coherent.com](http://www.Coherent.com) or contact your local Sales or Service Representative.



[www.Coherent.com](http://www.Coherent.com)

**Coherent, Inc.**  
 5100 Patrick Henry Drive  
 Santa Clara, CA 95054  
 phone (800) 527-3786  
 (408) 764-4983  
 fax (800) 362-1170  
 (408) 988-6838  
 e-mail [tech.sales@Coherent.com](mailto:tech.sales@Coherent.com)

Benelux +31 (30) 280 6060  
 China +86 (10) 6280 0209  
 France +33 (0)1 6985 5145  
 Germany +49 (6071) 968 333  
 Italy +39 (02) 34 530 214  
 Japan +81 (3) 5635 8700  
 Korea +82 (2) 460 7900  
 UK +44 (1353) 658 833