

LT-5500 (S16)

QCW ARRAY

Lasertel's QCW array packages are engineered and manufactured to perform reliably and efficiently in the most demanding environments.

WAVELENGTHS:

✦ 808

✦ 885

✦ 940

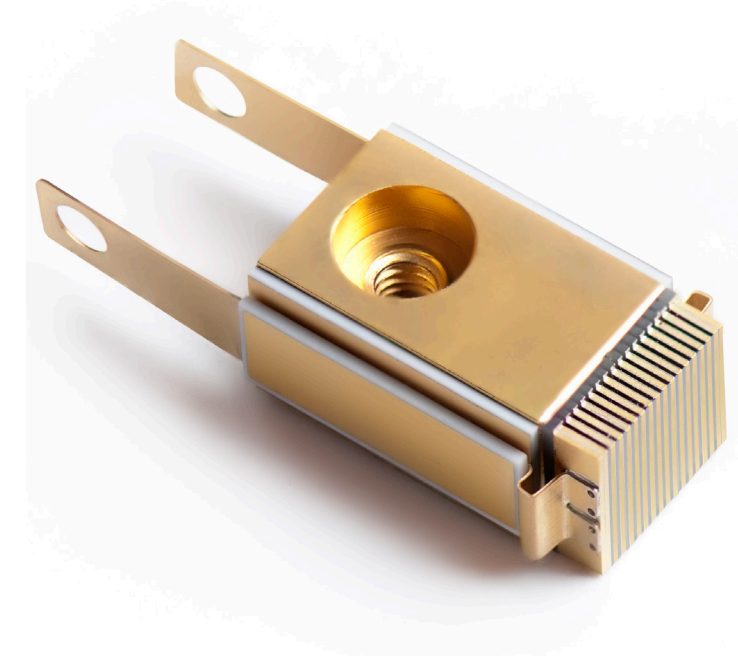
✦ 976



LT-5500 (S16) QCW ARRAY

WAVELENGTH: 808

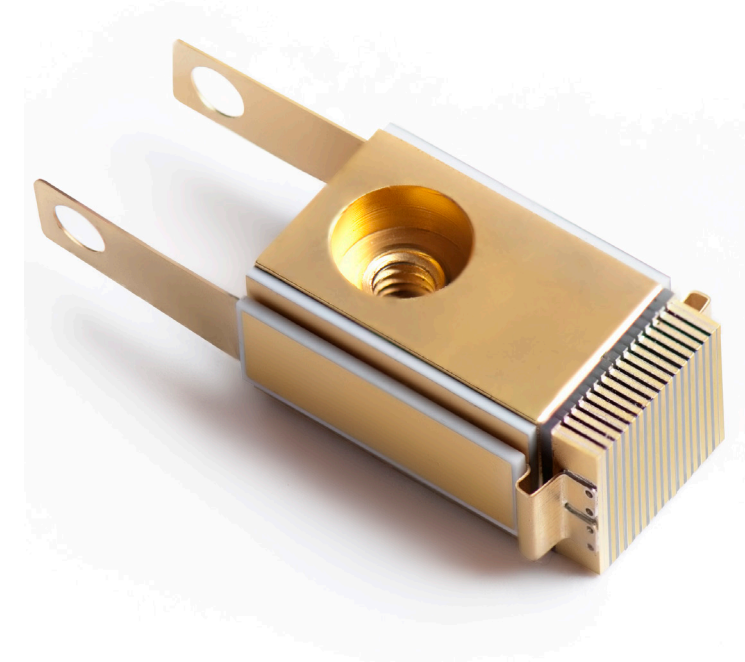
TYPICAL OPTICAL PARAMETERS (@25°C)		UNITS	VALUE	
Output Power per Bar		W	100	150
Operation Mode			QCW	QCW
Emission Length per Bar		mm	5	5
Number of Bars		#	4 to 15	4 to 15
Bar Pitch		mm	.35, .40	.35, .40
Maximum Array Output Power		W	1500	2250
Beam Divergence				
Fast Axis (FWHM)		°	38	38
Slow Axis (FWHM)		°	12	12
TYPICAL ELECTRICAL PARAMETERS (@25°C)				
Power Conversion Efficiency		%	50	50
Threshold Current		A	10	15
Operating Current		A	100	150
Operating Voltage per Bar		V	2.1	2.1
THERMAL PARAMETERS				
Operating Temperature		°C	-30 to 70	-30 to 70
Storage Temperature		°C	-40 to 85	-40 to 85



LT-5500 (S16) QCW ARRAY

WAVELENGTH: 885

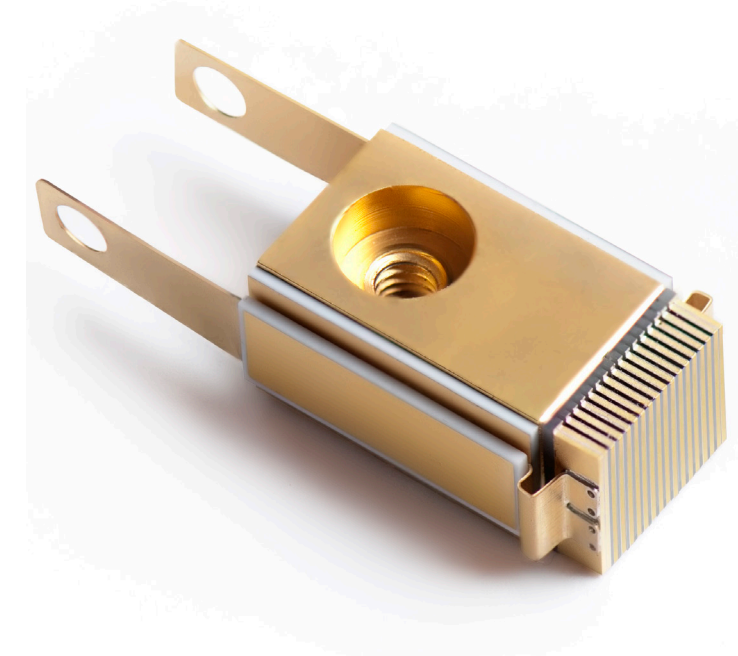
TYPICAL OPTICAL PARAMETERS (@25°C)		UNITS	VALUE	
Output Power per Bar		W	100	150
Operation Mode			QCW	QCW
Emission Length per Bar		mm	5	5
Number of Bars		#	4 to 15	4 to 15
Bar Pitch		mm	.35, .40	.35, .40
Maximum Array Output Power		W	1500	2250
Beam Divergence				
Fast Axis (FWHM)		°	38	38
Slow Axis (FWHM)		°	12	12
TYPICAL ELECTRICAL PARAMETERS (@25°C)				
Power Conversion Efficiency		%	50	50
Threshold Current		A	10	15
Operating Current		A	100	150
Operating Voltage per Bar		V	2.1	2.1
THERMAL PARAMETERS				
Operating Temperature		°C	-30 to 70	-30 to 70
Storage Temperature		°C	-40 to 85	-40 to 85



LT-5500 (S16) QCW ARRAY

WAVELENGTH: 940

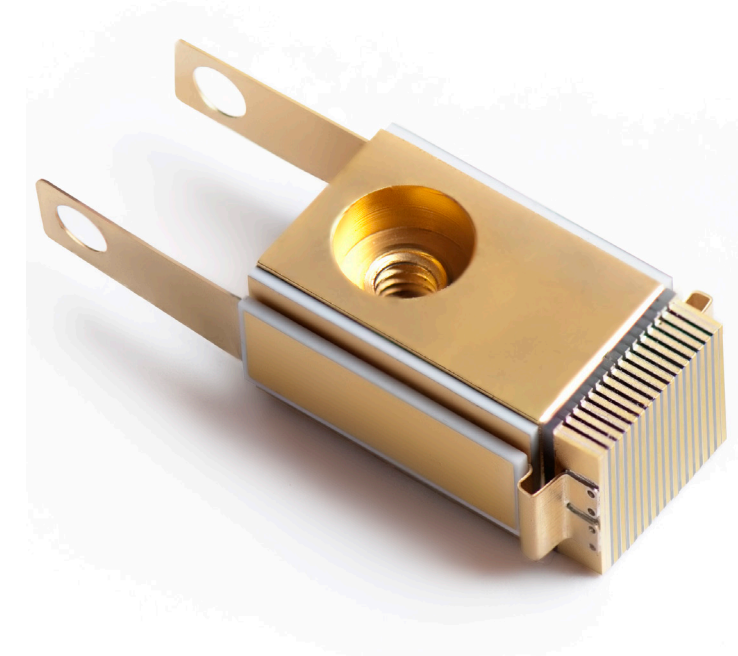
TYPICAL OPTICAL PARAMETERS (@25°C)		UNITS	VALUE	
Output Power per Bar		W	100	150
Operation Mode			QCW	QCW
Emission Length per Bar		mm	5	5
Number of Bars		#	4 to 15	4 to 15
Bar Pitch		mm	.35, .40	.35, .40
Maximum Array Output Power		W	1500	2250
Beam Divergence				
Fast Axis (FWHM)		°	38	38
Slow Axis (FWHM)		°	12	12
TYPICAL ELECTRICAL PARAMETERS (@25°C)				
Power Conversion Efficiency		%	50	50
Threshold Current		A	10	15
Operating Current		A	100	150
Operating Voltage per Bar		V	2.1	2.1
THERMAL PARAMETERS				
Operating Temperature		°C	-30 to 70	-30 to 70
Storage Temperature		°C	-40 to 85	-40 to 85



LT-5500 (S16) QCW ARRAY

WAVELENGTH: 976

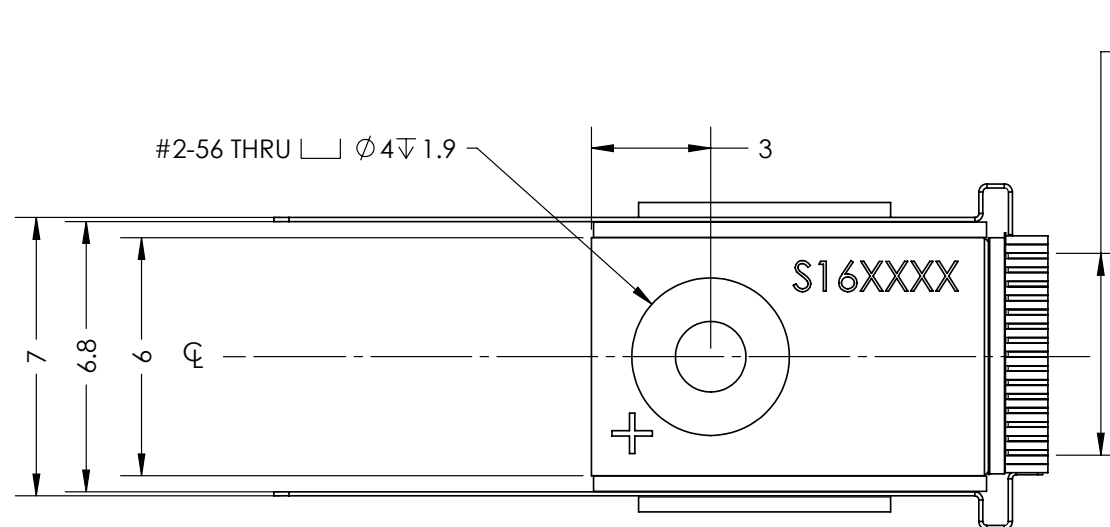
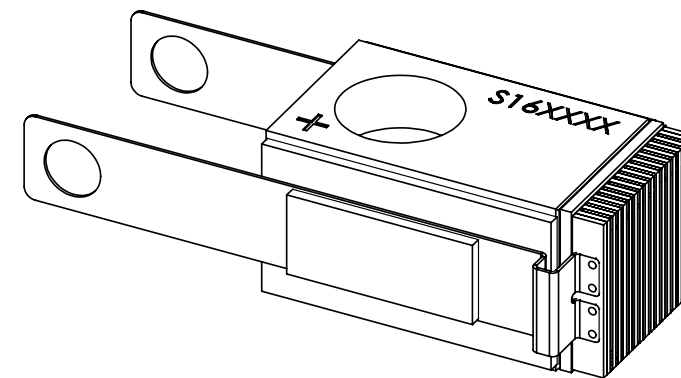
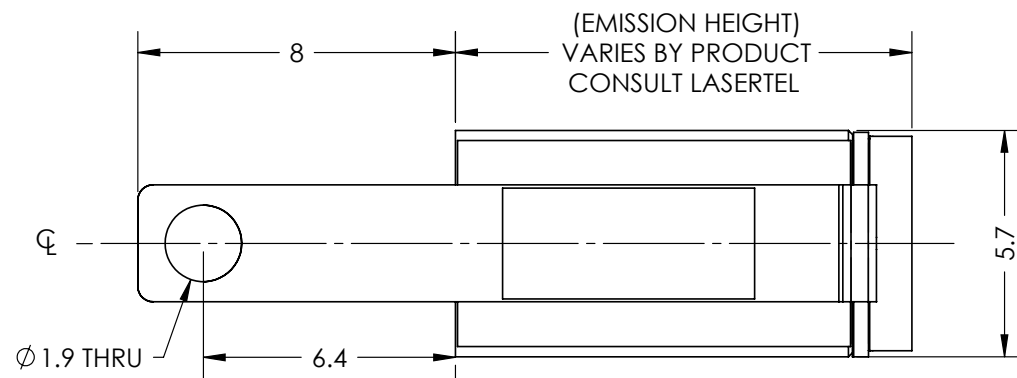
TYPICAL OPTICAL PARAMETERS (@25°C)		UNITS	VALUE	
Output Power per Bar		W	100	150
Operation Mode			QCW	QCW
Emission Length per Bar		mm	5	5
Number of Bars		#	4 to 15	4 to 15
Bar Pitch		mm	.35, .40	.35, .40
Maximum Array Output Power		W	1500	2250
Beam Divergence				
Fast Axis (FWHM)		°	38	38
Slow Axis (FWHM)		°	12	12
TYPICAL ELECTRICAL PARAMETERS (@25°C)				
Power Conversion Efficiency		%	50	50
Threshold Current		A	10	15
Operating Current		A	100	150
Operating Voltage per Bar		V	2.1	2.1
THERMAL PARAMETERS				
Operating Temperature		°C	-30 to 70	-30 to 70
Storage Temperature		°C	-40 to 85	-40 to 85



LT-5500 (S16) QCW ARRAY

TECHNICAL DRAWING

DIMENSIONS IN MM



(EMISSION LENGTH)
VARIES BY PRODUCT
CONSULT LASERTEL

(EMISSION WIDTH)
VARIES BY PRODUCT
CONSULT LASERTEL

