

## Pigtailed Laser Diode, SMF

LP405-SF10



### Description

Thorlabs' Single Mode Pigtailed Laser Diodes are standard TO-packaged diodes that have been pigtailed to a 1 m long single mode fiber with an FC/PC connector. Each unit is tested before shipment; please refer to the unit-specific test datasheet for optimal operating parameters.

### Specifications

Specification	Value
LD Reverse Voltage (Max)	5 V
PD Reverse Voltage (Max)	30 V
Optical Output Power	10 mW (Typ.)   12 mW (Max)
Operating Temperature	0 to +50 °C
Storage Temperature	0 to +50 °C
Pin Code	5B
Fiber	S405-HP
Connector	FC/PC

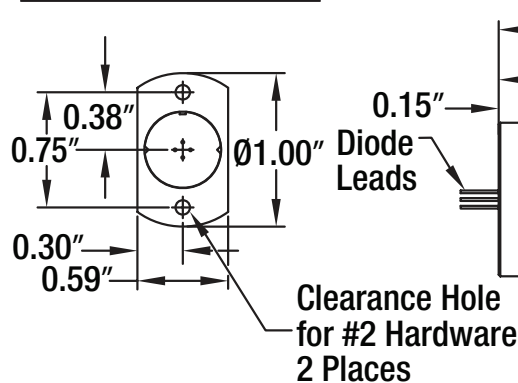
Specification	Min	Typ.	Max
Wavelength	395 nm	405 nm	415 nm
Threshold Current*	-	20 mA	30 mA
Slope Efficiency*	0.2	0.25	-
Operating Current @ P <sub>O</sub> = 10 mW*	-	50 mA	60 mA
Operating Voltage @ P <sub>O</sub> = 10 mW*	-	5.0 V	5.5 V
Monitor Current @ P <sub>O</sub> = 10 mW*	0.4 mA	1.4 mA	2.0 mA

\*Temperature = 25 °C

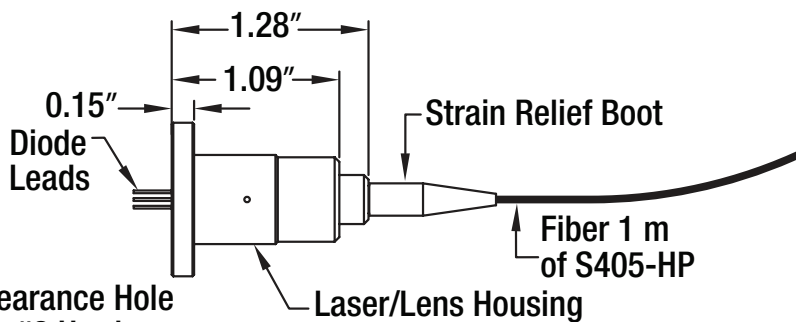
### Drawings



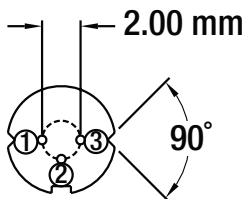
#### Pigtail Bottom View



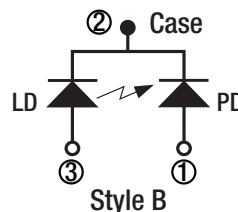
#### Side View



#### Diode Bottom View



#### Pin Diagram



#### NOTICE

To avoid equipment damage from electrostatic discharge: Wear ESD wriststrap when handling this device.

#### USA, Canada, and South America

Thorlabs, Inc.  
435 Route 206  
Newton, NJ 07860, USA

Tel: 973-579-7227  
Fax: 973-300-3600

#### Europe

Thorlabs GmbH  
85221 Dachau, Germany  
Tel: +49-(0)8131-5956-0

#### Scandinavia

Thorlabs Sweden AB  
400 20 Göteborg, Sweden  
Tel: +46-31-733-30-00

#### UK and Ireland

Thorlabs LTD.  
Cambridgeshire CB7 4EX, GB  
Tel: +44 (0)1353-654440

#### Japan and Asia

Thorlabs Japan Inc.  
Toshima-ku, Tokyo 170-0013, Japan  
Tel: +81-3-5979-8889

#### France

Thorlabs SAS  
78600 Maisons-Laffitte, France  
Tel: +33 (0) 970 444 844

#### China

Thorlabs China  
Shanghai, China  
Tel: +86 (0)21-32513486

