

■ Features

- 405nm
- 3um SM UV Fiber
- Coaxial Package
- PD Optional

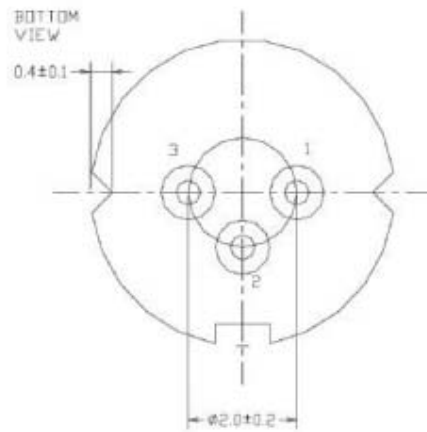
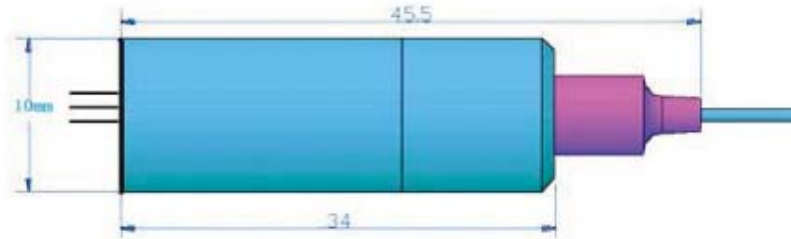


■ Absolute Maximum Ratings

Parameter	Symbol	Value	Unit
Reverse Voltage	Vr	5.0	V
Operating Temperature	Top	0 ~ +70	°C
Storage Temperature	Tstg	-35 ~ +85	°C
Lead Soldering Temperature (10sec)	Tis	260	°C

■ Initial Electrical/Optical Characteristics

Item	Symbol
Center Wavelength @ 25°C	405±5nm
Spectral Width (FWHM)	2.0nm
Output Power	50mW
Fiber Core	3 um
Recommend Operating Temperature	25°C
Fiber Connector	FC
Fiber Length	80 cm
Threshold Current (Typ.)	35mA
Operating Current (Typ.)	120mA
Operating Voltage	4.6V
Package Style	Coaxial



CHA
OPT



DUSTRIES
ECH.CO.,LTD.

1	LD(+)
2	LD(-)
3	NC



CHANGCHUN NEW INDUSTRIES
OPTOELECTRONICS TECH. CO., LTD.

Unit:mm



CHANGCHUN NEW INDUSTRIES
OPTOELECTRONICS TECH. CO., LTD.



Changchun New Industries Optoelectronics Tech. Co., Ltd
<http://www.cnilaser.com>

◆ CONTACT

No.888, Jinhu Road, High-tech zone, Changchun
130103, China

Phone: 0086-431-87033597

Fax: 0086-431-87033597



CHANGCHUN NEW INDUSTRIES
OPTOELECTRONICS TECH. CO., LTD.