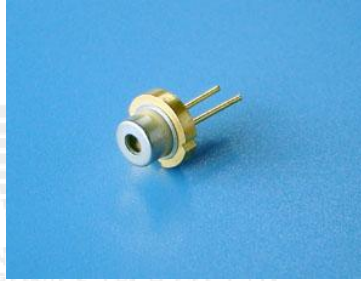


Features

- Output Power: 120mW (CW)
- Efficient Quantum Well Structure
- Standard TO-18 Package



Absolute Maximum Ratings

(Tc=25°C)

Item	Symbol	Absolute Maximum Ratings	Unit
Optical Output Power	Po	120	mW
LD Reverse Voltage	Vr (LD)	5	V
Storage Temperature	Tstg	-40~80	°C
Operating Case Temperature	Tc	0~70	°C

Initial Electrical/Optical Characteristics

(Tc=25°C)

Item	Symbol	Typ.	Unit
Optical Output	Po	120	mW
Peak Wavelength*	λ_p	405±5	nm
Threshold Current	Ith	≤0.026	A
Operating Current	Iop	≤0.13	A
Slope Efficiency	η	≥1.3	W/A
Operating Voltage	Vop	≤5.5	V
Horizontal Beam Divergence	$\theta_{//}$	≤9	deg.
Vertical Beam Divergence	θ_{\perp}	≤20	deg.
Spectrum FWHM		<1	nm
Wavelength Temperature Coefficient		0.054	nm/°C
Polarization		TE	

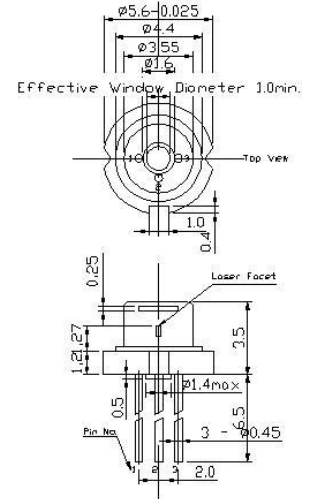
* Measuring specifications.

All figures in this specification are measured by CNI's method and may contain measurement deviations.

The above specifications are for reference purpose only and subjected to change without prior notice.

Outline Dimension

TO-18 Package



(Unit: mm)

Pin Connection

