

9xxnm, Water-Cooled, Single Diode Laser Bar

Features

- AuSn technology
- Water-cooled single bar
- 150W per bar
- Low thermal resistance CW and QCW operation
- Available as non collimated and fast-axis collimated unit
- Customized geometries available



Device Specification

Optical Parameters ¹	Units	
Center Wavelength Range ³	nm	9xx
Center Wavelength Tolerance ³	nm	±5
Output Power per Bar ²	W	150
Number of Bars ³	#	1
Spectral Width (FWHM)	nm	<6
Slope Efficiency per Bar	W/A	>1.08
Fast-Axis Divergence (90%) ⁴	degrees	<75
Slow-Axis Divergence (90%) ⁵	degrees	<8
Wavelength Temp. Coefficient	nm/°C	0.31-0.38
Beam Geometry after FAC Lens (n=Number of Bars)		10mm x 0.8mm

Electrical Parameters ¹		
Power Conversion Efficiency	%	>60
Threshold Current (I_{TH}) ⁶	A	<16 to <21
Operating Current (I_{OP})	A	<160
Operating Voltage per Bar (V_{OP})	V	<1.8

Thermal Parameters		
Operating Temperature Range ³	°C	+20 to 30
Storage Temperature Range	°C	0 to 55

Please refer to DILAS water specification for cooling requirements.

¹Data at 25°C water temperature, unless otherwise stated.

²Reduced lifetime if used above nominal operating conditions.

³Others available on request.

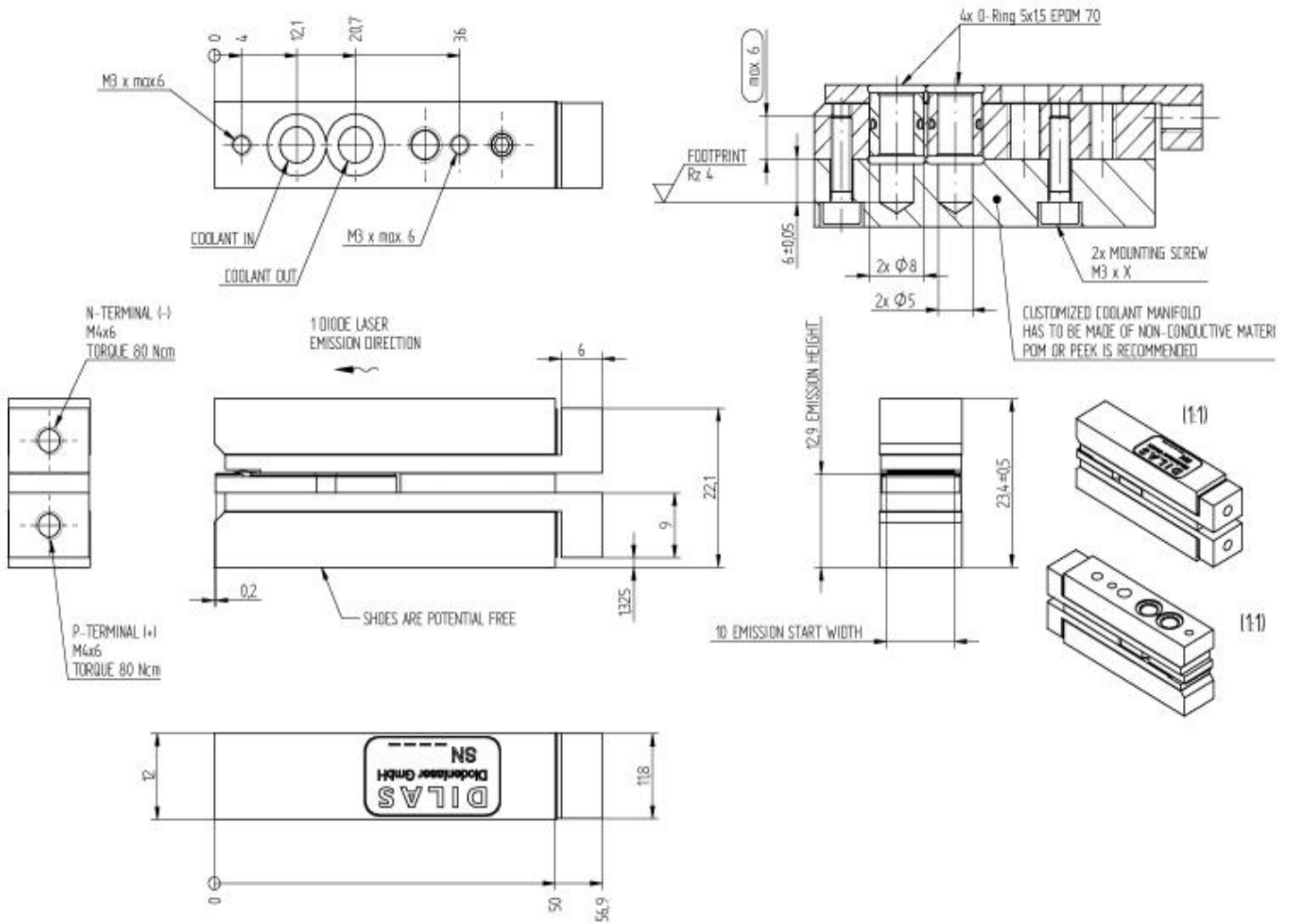
⁴For fast-axis collimation using FAC lens: divergence <8mrad.

⁵Slow-axis lense arrays are available upon request.

⁶Threshold current varies upon wavelength.

9xxnm, Water-Cooled, Single Diode Laser Bar

Package Dimension



***Emission Height is higher due to AuSn Technology.**



©2013 DILAS. All rights reserved. DILAS reserves the right to change product specifications without notice. For handling precautions, please reference the general handling instruction manual.

For complete details, please contact your local DILAS sales representative or visit our website at www.DILAS.com.

Europe
DILAS Diodenlaser GmbH
Galileo-Galilei-Straße 10
55129 Mainz
Germany
Phone: +49 (0)6131 9226 0
Fax: +49 (0)6131 9226 257
Email: sales@DILAS.de

North America
DILAS Diode Laser, Inc.
9070 South Rita Road
Suite 1500
Tucson, AZ 85747
Phone: +1 (520) 232-3480
Fax: +1 (520) 232-3499
Email: sales@DILAS-INC.com

China & Taiwan
DILAS Diodenlaser GmbH
China Sales Office
Room 206, Sunplus Technology, Bldg. 2
No. 1077 Zu Chongzhi Road
Hi-Tech Park, Shanghai 201203,
P.R. China
Phone: +86 (0) 21-6855-2216
Fax: +86 (0) 21-5027-3793
Email: sales@dilas-china.com.cn