

# 808nm, Water-Cooled, Both Axis, Collimated Vertical Diode Laser Stack

## Features

- Collimated beam
- Very low divergence in fast axis and slow axis
- Sealed housing



## Device Specification

### Optical Parameters<sup>1</sup>

Center Wavelength Range <sup>3</sup>	nm	808
Center Wavelength Tolerance <sup>3</sup>	nm	±5
Output Power per Bar <sup>2</sup>	W	40
Number of Bars	#	1 to 5
Spectral Width (FWHM)	nm	<3
Slope Efficiency per Bar	W/A	>0.9
Fast-Axis Divergence	mrad	10
Slow-Axis Divergence	mrad	20
Wavelength Temp. Coefficient	nm/°C	~0.27

### Electrical Parameters<sup>1</sup>

Power Conversion Efficiency	%	>40
Threshold Current ( $I_{TH}$ )	A	<10
Operating Current ( $I_{OP}$ )	A	50
Operating Voltage per Bar ( $V_{OP}$ )	V	<1.9

### Thermal Parameters

Operating Temperature Range <sup>3</sup>	°C	+20 to 30
Storage Temperature Range <sup>4</sup>	°C	0 to 55

**Please refer to DILAS water specification for cooling requirements**

<sup>1</sup>Data at 25°C water temperature, unless otherwise stated.

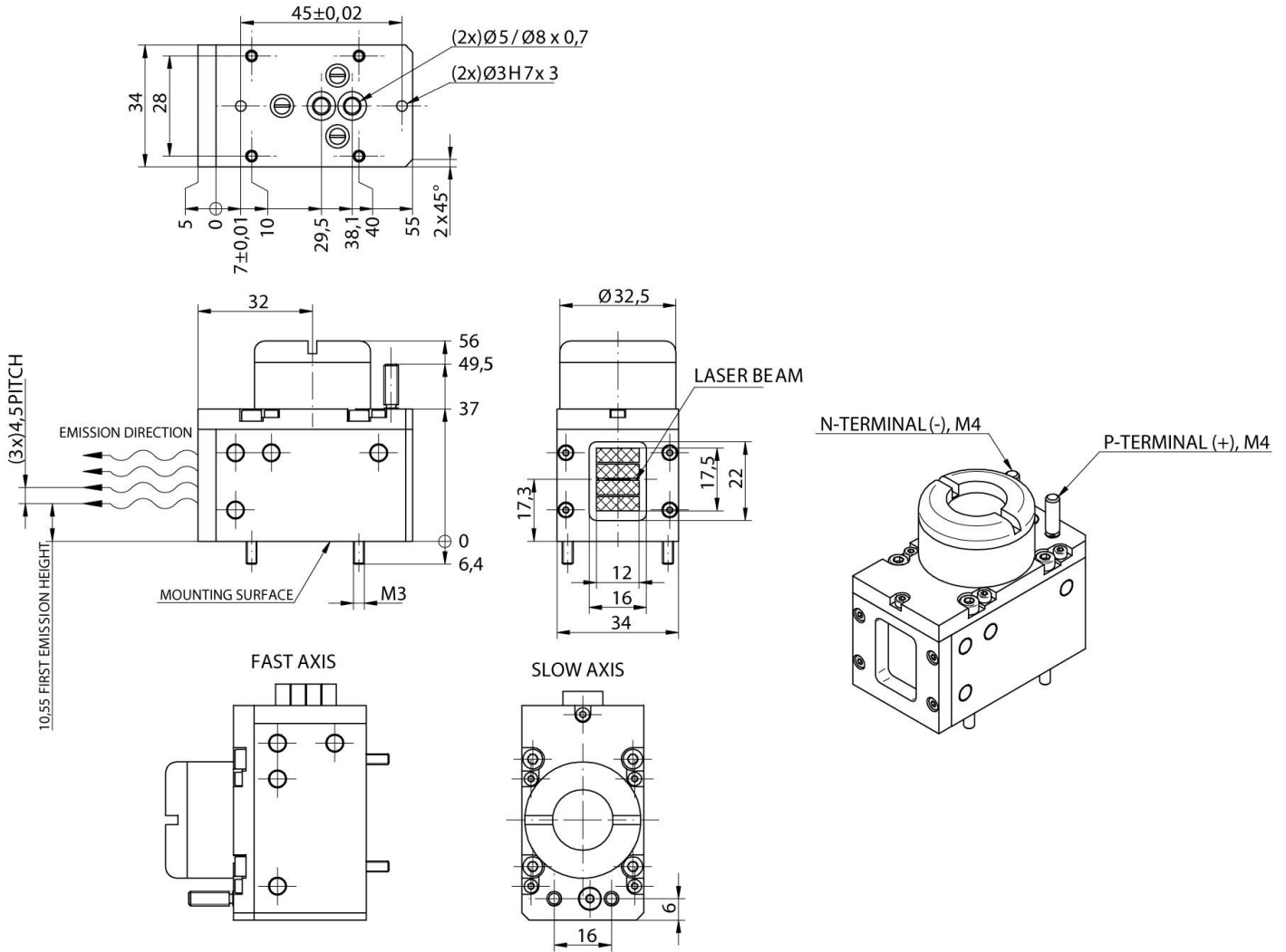
<sup>2</sup>Reduced lifetime if used above nominal operating conditions.

<sup>3</sup>Others available upon request.

<sup>4</sup>A non-condensing environment is required for storage and operation below the ambient dew point.

# 808nm, Water-Cooled, Both Axis, Collimated Vertical Diode Laser Stack

## Package Dimension



©2012 DILAS. All rights reserved. DILAS reserves the right to change product specifications without notice. For handling precautions, please reference the general handling instruction manual.

For complete details, please contact your local DILAS sales representative or visit our website at [www.DILAS.com](http://www.DILAS.com).

**Europe**  
**DILAS Diodenlaser GmbH**  
Galileo-Galilei-Straße 10  
55129 Mainz  
Germany  
Phone: +49 (6131) 9226 0  
Fax: +49 (6131) 9226 257  
Email: [sales@DILAS.de](mailto:sales@DILAS.de)

**North America**  
**DILAS Diode Laser, Inc.**  
9070 South Rita Road  
Suite 1500  
Tucson, AZ 85747  
Phone: +1 (520) 232-3484  
Fax: +1 (520) 232-3499  
Email: [sales@DILAS-INC.com](mailto:sales@DILAS-INC.com)

**Asia**  
**DILAS Diodenlaser GmbH**  
China Sales Office  
Room 206, Sunplus Technology, Bldg. 2  
No. 1077 Zu Chongzhi Road  
Hi-Tech Park, Shanghai 201203,  
P.R. China  
Phone: +86 (0) 21-6855-2216  
Fax: +86 (0) 21-5027-3793  
Email: [sales@dilas-china.com.cn](mailto:sales@dilas-china.com.cn)