

940nm, Water-Cooled, Both Axis, Collimated Vertical Diode Laser Stack

Features

- Collimated beam
- Very low divergence in fast axis and slow axis
- Sealed housing



Device Specification

Optical Parameters¹

Center Wavelength Range ³	nm	940
Center Wavelength Tolerance ³	nm	±5
Output Power per Bar ²	W	40
Number of Bars	#	1 to 5
Spectral Width (FWHM)	nm	<5
Slope Efficiency per Bar	W/A	>0.75
Fast-Axis Divergence	mrad	10
Slow-Axis Divergence	mrad	30
Wavelength Temp. Coefficient	nm/°C	~0.31

Electrical Parameters¹

Power Conversion Efficiency	%	>40
Threshold Current (I_{TH})	A	<13
Operating Current (I_{OP})	A	55
Operating Voltage per Bar (V_{OP})	V	<1.8

Thermal Parameters

Operating Temperature Range ³	°C	+20 to 30
Storage Temperature Range ⁴	°C	0 to 55

Please refer to DILAS water specification for cooling requirements

¹Data at 25°C water temperature, unless otherwise stated.

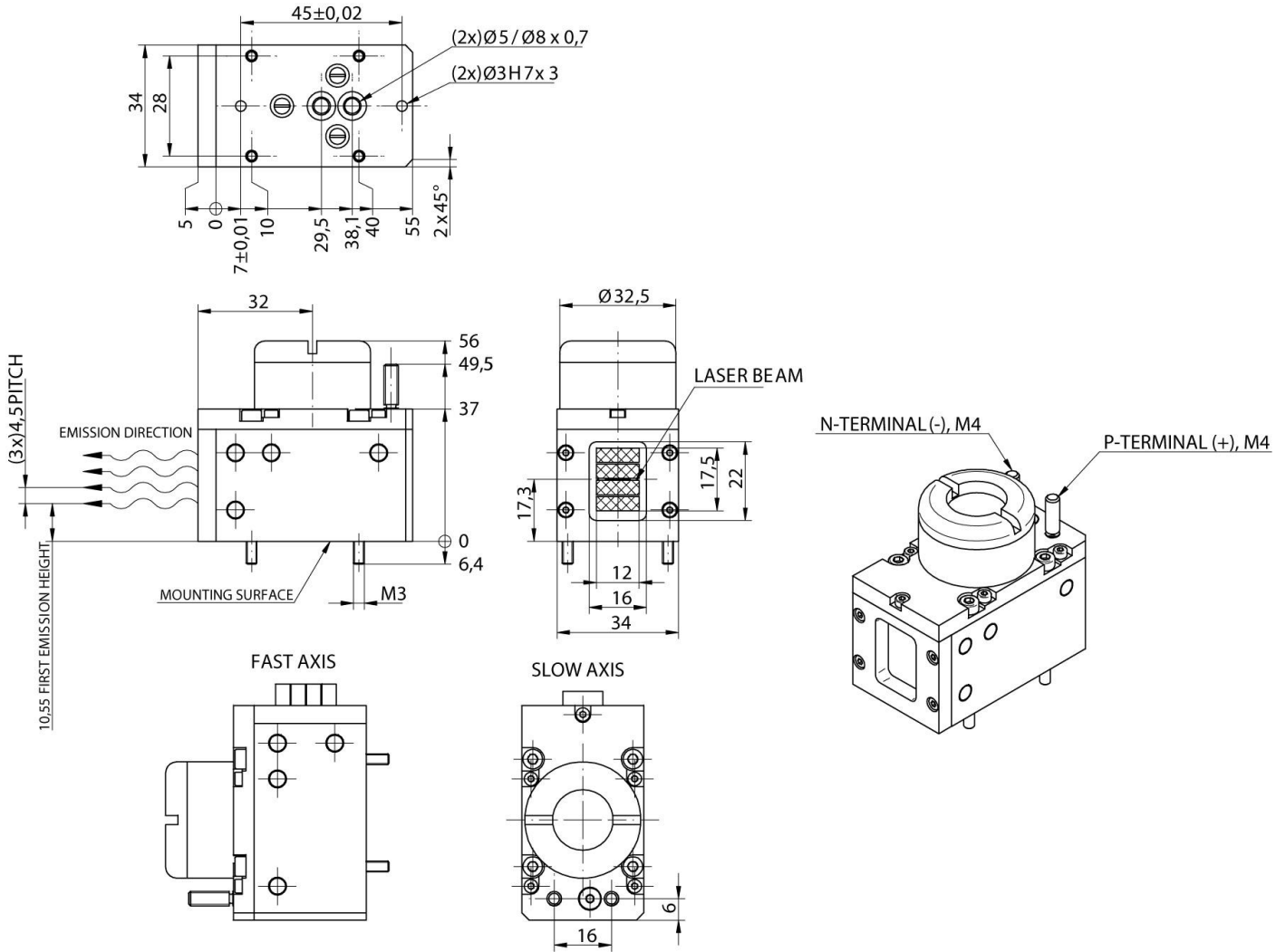
²Reduced lifetime if used above nominal operating conditions.

³Others available upon request.

⁴A non-condensing environment is required for storage and operation below the ambient dew point.

940nm, Water-Cooled, Both Axis, Collimated Vertical Diode Laser Stack

Package Dimension



©2012 DILAS. All rights reserved. DILAS reserves the right to change product specifications without notice. For handling precautions, please reference the general handling instruction manual.

For complete details, please contact your local DILAS sales representative or visit our website at www.DILAS.com.

Europe
DILAS Diodenlaser GmbH
Galileo-Galilei-Straße 10
55129 Mainz
Germany
Phone: +49 (6131) 9226 0
Fax: +49 (6131) 9226 257
Email: sales@DILAS.de

North America
DILAS Diode Laser, Inc.
9070 South Rita Road
Suite 1500
Tucson, AZ 85747
Phone: +1 (520) 232-3484
Fax: +1 (520) 232-3499
Email: sales@DILAS-INC.com

Asia
DILAS Diodenlaser GmbH
China Sales Office
Room 206, Sunplus Technology, Bldg. 2
No. 1077 Zu Chongzhi Road
Hi-Tech Park, Shanghai 201203,
P.R. China
Phone: +86 (0) 21-6855-2216
Fax: +86 (0) 21-5027-3793
Email: sales@dilas-china.com.cn