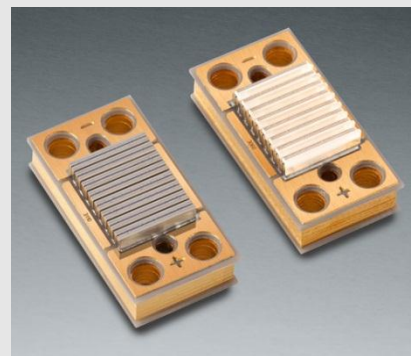


940nm, Macro-Channel, Conduction-Cooled, QCW, Vertical Diode Laser Stack

Features

- Low vertical height
- Compact and planar design
- Center hole for module alignment
- High environmental temperature range
- High output power bar



Device Specification

Optical Parameters ¹	Units	
Center Wavelength Range ³	nm	940
Center Wavelength Tolerance	nm	±5
Output Power per Bar ^{2, 5}	W	<175
Number of Bars ³	#	8
Bar-to-Bar Spacing ³	mm	1.7
Spectral Width (FWHM) ⁵	nm	<6
Slope Efficiency per Bar	W/A	>1.2
Fast-Axis Divergence without Optics	degree	60
Fast-Axis Divergence with Fast-Axis Collimation	mrad	<8
Slow-Axis Divergence	degree	<12
Wavelength Temperature Coefficient	nm/°C	0.3

Electrical Parameters ¹		
Power Conversion Efficiency	%	>50
Threshold Current (I _{TH})	A	<22
Operating Current (I _{OP})	A	<220
Operating Voltage per Bar (V _{OP})	V	<2
High Duty Cycle	%	Up to 20

Thermal Parameters		
Operating Temperature Range ^{3,4}	°C	+20 to +35
Storage Temperature Range ⁴	°C	0 to +55
Recommended Coolant Flow Rate	l/h	60
Recommended Coolant Temperature	°C	20

¹Data at 20°C cold water temperature.

²Reduced lifetime if used above nominal operating conditions.

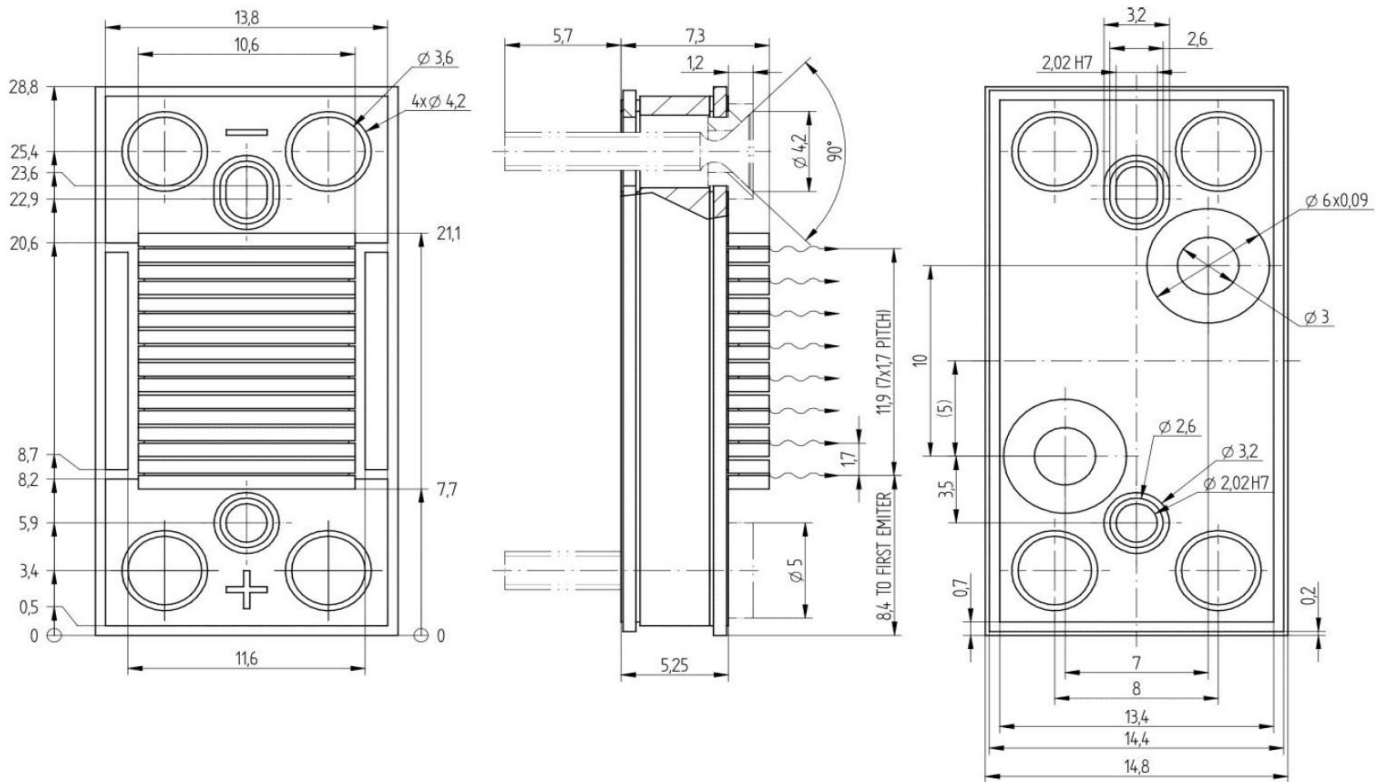
³Custom configurations on request.

⁴A non-condensing environment is required for storage and operation below the ambient dew point.

⁵QCW, <2% Duty Cycle, <500µ sec at 808nm.

940nm, Macro-Channel, Conduction-Cooled, QCW, Vertical Diode Laser Stack

Package Dimension

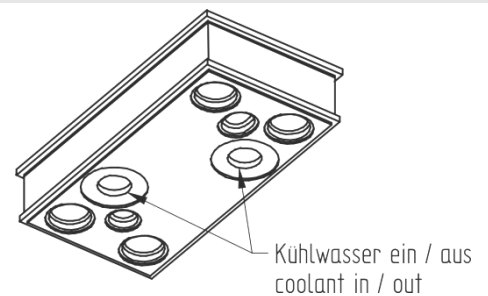


Coolant Connection

Coolant manifold is assembled at the customer site.

Refer to dimensional drawing.

Regard O-ring pressing rate of 30% for tight connection of cooling circuit. Regard position of aligning pins to fit correct position of O-ring for tight assembly.



©2012 DILAS. All rights reserved. DILAS reserves the right to change product specifications without notice. For handling precautions, please reference the general handling instruction manual.

For complete details, please contact your local DILAS sales representative or visit our website at www.DILAS.com.

Europe
DILAS Diodenlaser GmbH
Galileo-Galilei-Straße 10
55129 Mainz
Germany
Phone: +49 (6131) 9226 0
Fax: +49 (6131) 9226 257
Email: sales@DILAS.de

North America
DILAS Diode Laser, Inc.
9070 South Rita Road
Suite 1500
Tucson, AZ 85747
Phone: +1 (520) 232-3484
Fax: +1 (520) 232-3499
Email: sales@DILAS-INC.com

Asia
DILAS Diodenlaser GmbH
China Sales Office
Room 206, Sunplus Technology, Bldg. 2
No. 1077 Zu Chongzhi Road
Hi-Tech Park, Shanghai 201203,
P.R. China
Phone: +86 (0) 21-6855-2216
Fax: +86 (0) 21-5027-3793
Email: sales@dilas-china.com.cn