

808nm, Conduction-Cooled, QCW, Fast-Axis Collimated Vertical Diode Laser Stack

Features

- With fast axis collimation (<8 mrad)
- Low vertical height
- Compact size
- High collimation efficiency



Device Specification

Optical Parameters ¹	Units	QCW		
Center Wavelength Range ³	nm		808	
Center Wavelength Tolerance	nm	±3	±3	±3
Output Power per Bar ^{2, 5}	W	100	150	250
Number of Bars ³	#	up to 20	up to 20	up to 20
Bar-to-Bar Spacing ³	mm	1.6	1.6	1.6
Spectral Width (FWHM)	nm	<5	<5	<5
Slope Efficiency per Bar	W/A	>1.00	>1.00	>1.25
Fast-Axis Divergence with Fast-Axis Collimation	mrad	<8	<8	<8
Slow-Axis Divergence	degree	<12	<12	<10
Wavelength Temp. Coefficient	nm/°C	0.27	0.27	0.27

Electrical Parameters ^{1, 5}				
Power Conversion Efficiency	%	>50	>50	>55
Threshold Current (I _{TH})	A	<15	<15	<22
Operating Current (I _{OP})	A	<120	<120	<250
Operating Voltage per Bar (V _{OP})	V	<2	<2	<2

Thermal Parameters				
Operating Temperature Range ^{3,4}	°C	+20 to +35	+20 to +35	+20 to +35
Storage Temperature Range ⁴	°C	0 to +55	0 to +55	0 to +55
Recommended Heatsink Capacity per Bar	W	>20	>20	>30

¹Data at 20°C cold plate temperature.

²Reduced lifetime if used above nominal operating conditions.

³Others available upon request.

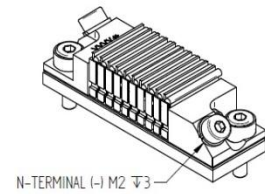
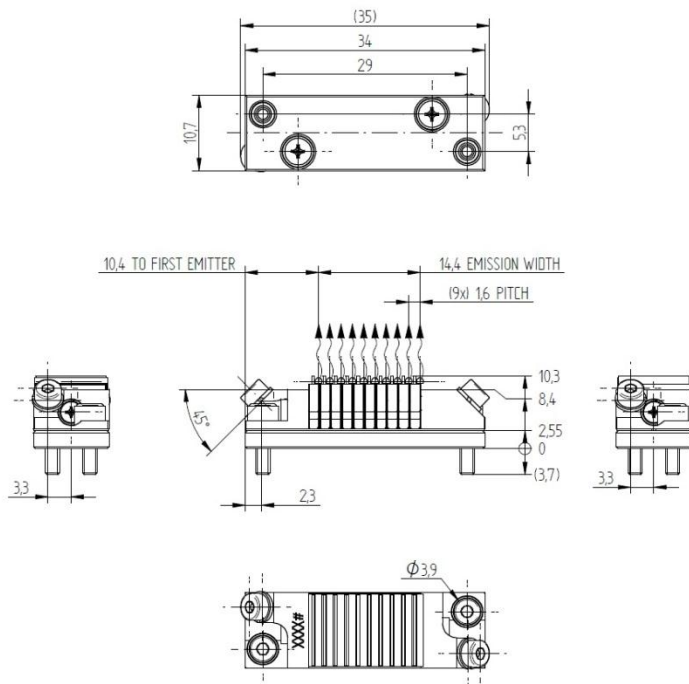
⁴A non-condensing environment is required for storage and operation below the ambient dew point.

⁵QCW, <2% Duty Cycle, <500µsec.

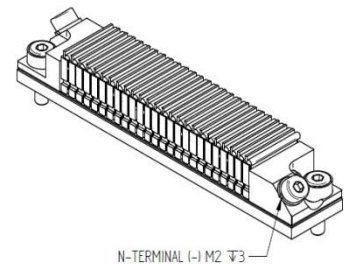
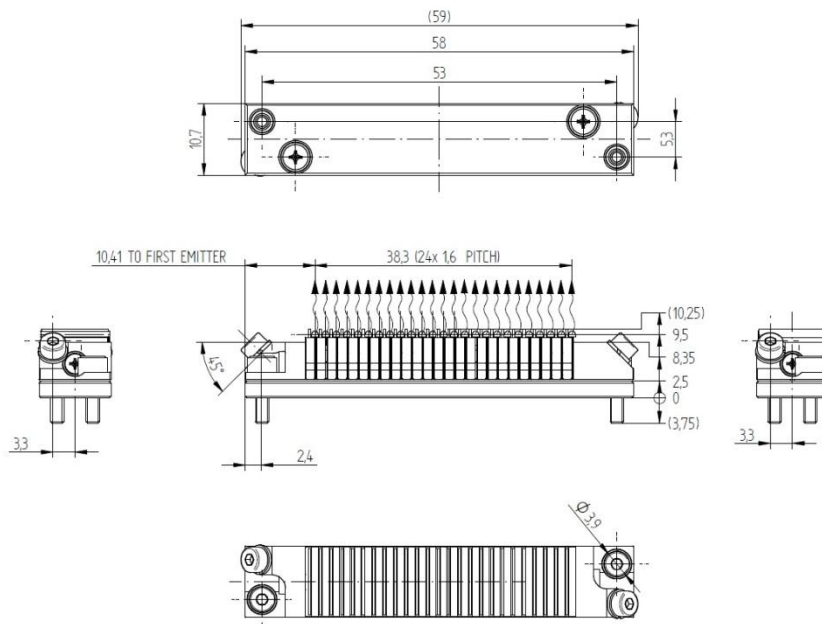
808nm, Conduction-Cooled, QCW, Fast-Axis Collimated Vertical Diode Laser Stack

Package Dimension

Back-plane cooled QCW Vertical Diode Laser Stack with 1x10 diode lasers.



Back-plane cooled QCW Vertical Diode Laser Stack with 1x25 diode lasers.



©2013 DILAS. All rights reserved. DILAS reserves the right to change product specifications without notice. For handling precautions, please reference the general handling instruction manual.

For complete details, please contact your local DILAS sales representative or visit our website at www.DILAS.com.

Europe
DILAS Diodenlaser GmbH
Galileo-Galilei-Straße 10
55129 Mainz
Germany
Phone: +49 (0)6131 9226 0
Fax: +49 (0)6131 9226 257
Email: sales@DILAS.de

North America
DILAS Diode Laser, Inc.
9070 South Rita Road
Suite 1500
Tucson, AZ 85747
Phone: +1 (520) 232-3480
Fax: +1 (520) 232-3499
Email: sales@DILAS-INC.com

China & Taiwan
DILAS Diodenlaser GmbH
China Sales Office
Room 206, Sunplus Technology, Bldg. 2
No. 1077 Zu Chongzhi Road
Hi-Tech Park, Shanghai 201203,
P.R. China
Phone: +86 (0) 21-6855-2216
Fax: +86 (0) 21-5027-3793
Email: sales@dilas-china.com.cn