

10 Watt High Power Pump Laser Diode

- 980nm Pump Laser Diode with SMA905 Connector and Integrated Red Pointing Laser
- Wavelength: 980nm \pm 10nm
- Fiber core: 200 μ m, 0.22 NA
- Multimode



RLS980-10W DATA SHEET

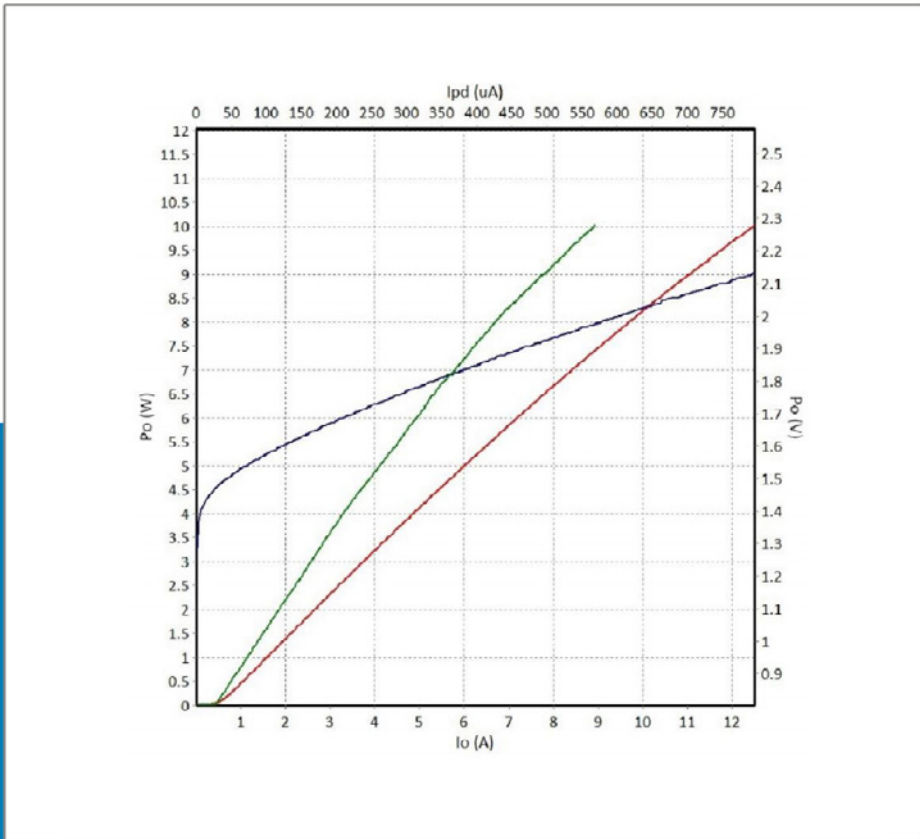
WORLD LEADING PRODUCTS
FOR LASER SCIENTISTS AND ENGINEERS

DATA SHEET

RLS980-10W Product Overview

These 980nm high power pump lasers are single emitter based devices that provide output power of 10 Watts. They feature a compact design, stable output power, high efficiency and robust packaging for control. These 980nm devices are suitable for medical use, material processing, laser pumping and other pumping applications.

Manufactured by RealLight Technology Co., Ltd., a high technology company with over 20 years of experience in the development and manufacturing of efficient and reliable lasers diodes. They deliver cost-effective solutions for the high power pump laser market. All laser diodes are burn-in tested and screened with full LIV test report prior to shipment



RLS980-10W SPECIFICATIONS

GENERAL SPECIFICATIONS

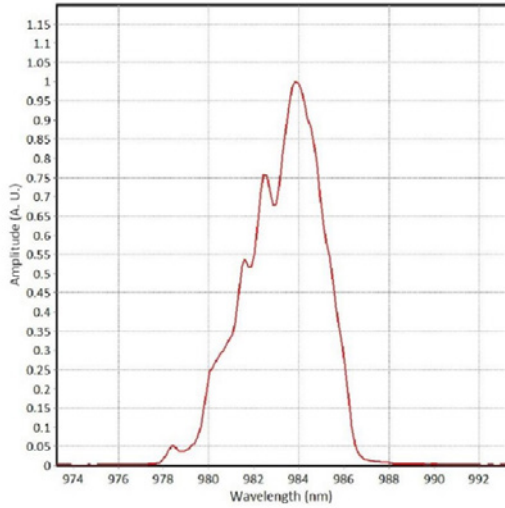
Optical CW Output Power:	10 Watts
Center Wavelength:	980nm \pm 10 nm
Spectral Width:	<6 nm
Temperature Drift of Wavelength:	0.3 nm/ $^{\circ}$ C
Threshold Current:	0.56 A
Operating Current:	12.39 A
Operating Voltage:	2.12 V
PD Current:	<3000 μ A
TEC Max Current:	6.0 A
TEC Max Voltage:	9.8 V

HIGH POWER FIBER CONNECTOR

Fiber Core Diameter:	200 μ m, 0.22 NA
Connector:	SMA905

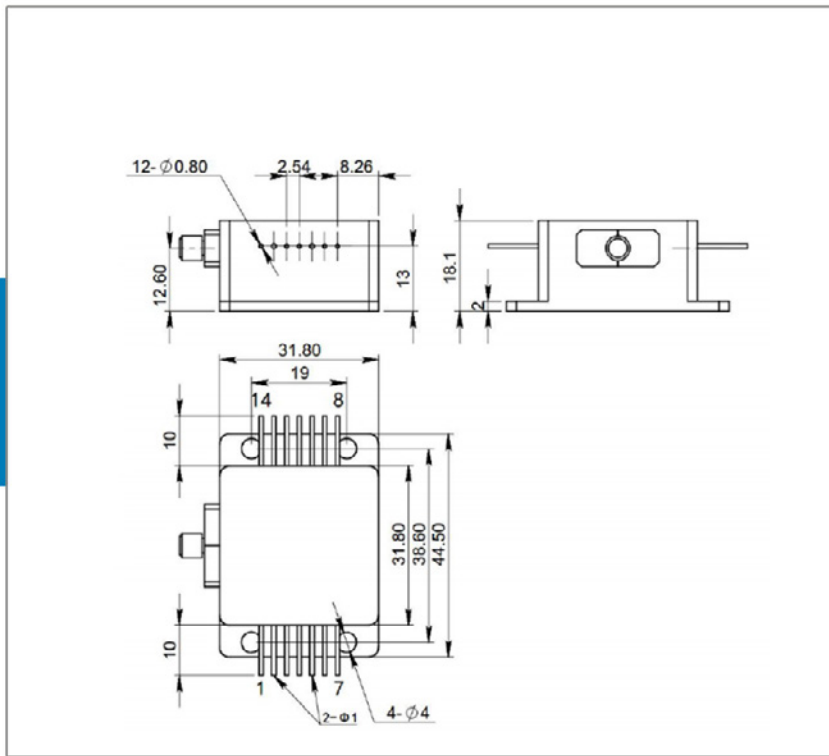


DATA SHEET



Pin	Function	Pin	Function
1	Case	8	TEC(-)
2	Laser(+)	9	FCD PD(P)
3	Thermistor	10	FCD LED(-)
4	Thermistor	11	FCD LED(+);FCD PD(N)
5	Laser(-)	12	Aiming Beam LD(+);[DC 5V]
6	PD(P)	13	Aiming Beam LD(-);[GND]
7	PD(N)	14	TEC(+)

DATA SHEET



Product Warranty:

In addition to the standard full one year warranty, this product is offered with an additional 3 months of extended warranty for a total of 15 months of warranty coverage. The warranty includes all parts and labor. The warranty does not include customer induced product damage.

Our Customer Commitment:



You Get Direct, Fast Tech-Support from a Product ENGINEER ... Not a Sales Person

You get DIRECT access to the correct factory engineer for your product. We eliminate the sales person "middle-man" back and forth time delays resolving technical issues. No more "Contact Us" forms. Every product has an assigned engineer in our auto-messaging data base to give you direct, immediate access to the correct tech-support info.



You Get an Extended Warranty

All products from Laser Lab Source come with a 12 month factory warranty. Additionally, we offer and extra 3 months of warranty on top of the standard warranty. *Warranty does not include customer induced product damage.*



You Get the Lowest Factory-Direct Prices Worldwide

All of our 3rd party global suppliers set & quote their own direct pricing. There are NO Mark-Up's. You get their lowest direct price.