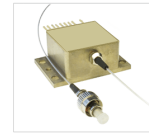




## PRODUCT DATA SHEET

Laser Diode (HHL w/fiber package)

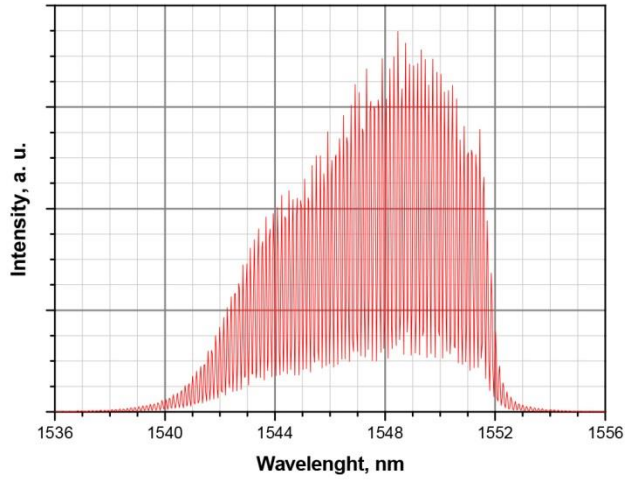
Model FB-M1550-1500HF



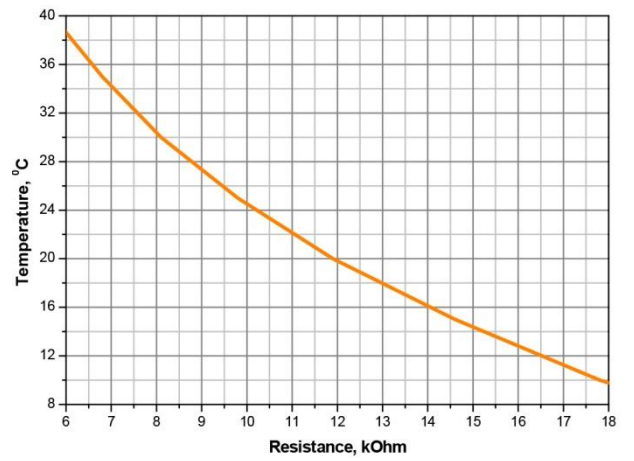
1-TEC (-)  
 2-  
 3-  
 4-Laser Anode(+)  
 5-Thermistor (2)  
 6-Thermistor (1)  
 7-Laser Cathode (-)  
 8-PD Anode (+)  
 9-PD Cathode (-)  
 10-TEC (+)

Specification	Symbol	Typical	Unit
<b>Laser Emitter (at Top=25 degree)</b>			
Peak Wavelength	$\lambda_{op}$	1550±30	nm
CW Optical Output Power	$P_{op}$	1.5	W
Operation Current	$I_{op}$	<6.5	A
Operation Voltage	$U_{Id}$	1.4±0.1	V
Threshold Current	$I_{th}$	<0.6	A
Spectrum Half-Width (FWHM)	$\Delta\lambda$	<10	nm
Operation Mode		CW, QCW, Pulse ( $\tau > 5ns$ )	-
<b>Optical Fiber</b>			
Fiber diameter		200	μm
Coating diameter		220	μm
Outer diameter		3	mm
Numerical Aperture		0,22	-
Fiber Length		1	m
Optical Connector Type		FC	-
<b>Photo Diode Monitor</b>			
PD Monitor Current		1-1000	μA
PD Reverse Voltage		9	V
<b>TEC</b>			
Maximum Current		5	A
Maximum Operation Voltage		3,8	V
<b>Other parameters</b>			
Thermistor Resistance		10	kilohm
Operation Temperature Range		-20... +40	degree
Wavelength Temperature Coefficient	$\Delta\lambda/\Delta T$	6.0±0.5	Å/degree
Guaranteed Life Time		1	year

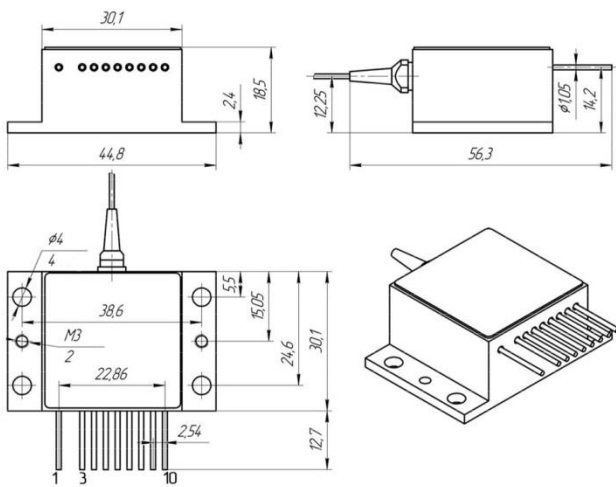
Typical Spectrum



Thermistor resistance diagram



Dimensions and pinouts



- 1-TEC (-)
- 2-
- 3-
- 4- Laser Anode(+)
- 5- Thermistor (2)
- 6- Thermistor (1)
- 7- Laser Cathode (-)
- 8- PD Anode (+)
- 9- PD Cathode (-)
- 10- TEC (+)

**PRODUCT WARRANTY:**

This product is sold with a full one year warranty. The warranty includes all parts and labor. It is warranted to be free from defects in material and workmanship for a period of one year from the date of shipment. The warranty does not include damage to the product due to customer mishandling or use of the product outside of its specified maximum ratings.

**INSTALLATION SUPPORT OR TECHNICAL SUPPORT FOR THIS PRODUCT:**

**800-887-5065 extension 1**  
**[contact@laserdiodesource.com](mailto:contact@laserdiodesource.com)**



Part of the Laser Lab Source Group:  
[LaserLabSource.com](http://LaserLabSource.com)  
[LaserDiodeSource.com](http://LaserDiodeSource.com)  
[LaserDiodeControl.com](http://LaserDiodeControl.com)  
Laser Diode Technologies

Laser Lab Source Inc.  
1820 W. Lincoln Street  
Bozeman, MT USA 59715  
[contact@LaserDiodeSource.com](mailto:contact@LaserDiodeSource.com)  
[contact@LaserDiodeControl.com](mailto:contact@LaserDiodeControl.com)  
800-887-5065

800-887-5065