

*product offered by*



**LASER LAB SOURCE**  
marketplace for **Scientists & Engineers**

[contact@LaserLabSource.com](mailto:contact@LaserLabSource.com)

+1 406.219.1472

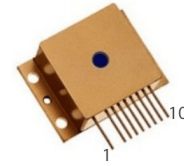
[www.LaserLabSource.com](http://www.LaserLabSource.com)



## PRODUCT DATA SHEET

Laser Diode (HHL w/window package)

Model FB-M1260-1500HO

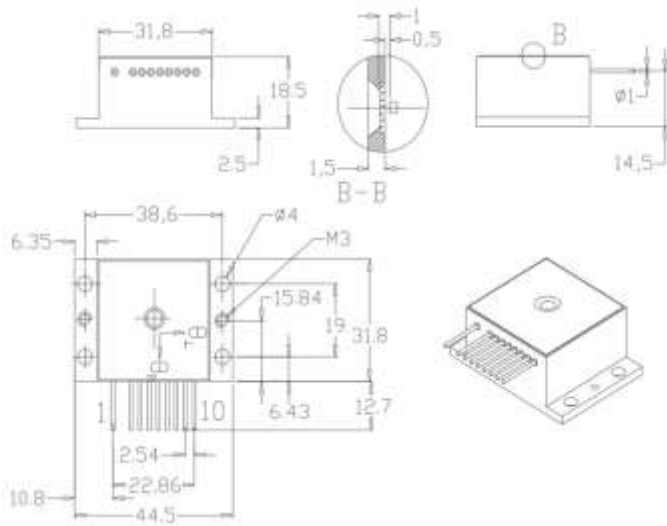


- 1-TEC (-)
- 2-
- 3-
- 4- Laser Anode(+)
- 5- Thermistor (2)
- 6- Thermistor (1)
- 7- Laser Cathode (-)
- 8- PD Anode (+)
- 9- PD Cathode (-)
- 10- TEC (+)

| Specification                             | Symbol                   | Typical                            | Unit                 |
|---|--------------------------|------------------------------------|----------------------|
| <b>Laser Emitter</b>                      |                          |                                    |                      |
| Peak Wavelength                           | $\lambda_{op}$           | 1260±10                            | nm                   |
| CW Optical Output Power                   | $P_{op}$                 | 1.5                                | W                    |
| Operation Current                         | $I_{op}$                 | <4                                 | A                    |
| Operation Voltage                         | $U_{Id}$                 | 1.1±0.1                            | V                    |
| Threshold Current                         | $I_{th}$                 | < 0.6                              | A                    |
| Beam Divergence (FWHM)                    | $\theta_{  }$            | 9±1                                | degree               |
| Beam Divergence (FWHM)                    | $\theta_{\perp}$         | 1                                  | degree               |
| Spectrum Half-Width (FWHM)                | $\Delta\lambda$          | <                                  | nm                   |
| Emitting Area                             | $W \times d$             | 100x1                              | $\mu m \times \mu m$ |
| Operation Mode                            | -                        | CW, QCW,<br>Pulse ( $\tau > 5ns$ ) | -                    |
| Operation Temperature                     | Top                      | 25                                 | degree               |
| <b>Photo Diode Monitor</b>                |                          |                                    |                      |
| PD Monitor Current                        |                          | 1-1000                             | $\mu A$              |
| PD Reverse Voltage                        |                          | 9                                  | V                    |
| <b>TEC</b>                                |                          |                                    |                      |
| Maximum Current                           |                          | 5                                  | A                    |
| Maximum Operation Voltage                 |                          | 3,8                                | V                    |
| <b>Thermistor</b>                         |                          |                                    |                      |
| Resistance                                |                          | 10                                 | kilohm               |
| Wavelength Temperature Coefficient        | $\Delta\lambda/\Delta T$ | 4±0.5                              | Å/degree             |
| Operation Current Temperature Coefficient | $\Delta I/\Delta T$      | 15±5                               | mA/degree            |
| Operation Temperature Range               |                          | -20... +40                         | degree               |
| Storage Temperature Range                 |                          | -40... +80                         | degree               |

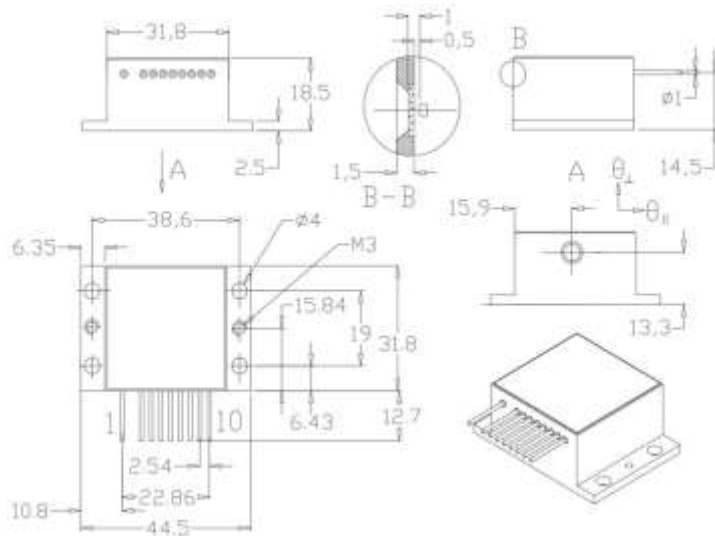


Drawings:



- 1-TEC (-)
- 2-
- 3-
- 4- Laser Anode(+)
- 5- Thermistor (2)
- 6- Thermistor (1)
- 7- Laser Cathode (-)
- 8- PD Anode (+)
- 9- PD Cathode (-)
- 10- TEC (+)

Output window of 0.5 mm in thickness



- 1- TEC (-)
- 2-
- 3-
- 4- Laser Anode(+)
- 5- Thermistor (2)
- 6- Thermistor (1)
- 7- Laser Cathode (-)
- 8- PD Anode (+)
- 9- PD Cathode (-)
- 10- TEC (+)

Output window of 0.5 mm in thickness

**PRODUCT WARRANTY:**

This product is sold with a full one year warranty. The warranty includes all parts and labor. It is warranted to be free from defects in material and workmanship for a period of one year from the date of shipment. The warranty does not include damage to the product due to customer mishandling or use of the product outside of its specified maximum ratings.

**INSTALLATION SUPPORT OR TECHNICAL SUPPORT FOR THIS PRODUCT:**

**800-887-5065 extension 1**  
**[contact@laserdiodesource.com](mailto:contact@laserdiodesource.com)**



Part of the Laser Lab Source Group:  
[LaserLabSource.com](http://LaserLabSource.com)  
[LaserDiodeSource.com](http://LaserDiodeSource.com)  
[LaserDiodeControl.com](http://LaserDiodeControl.com)  
Laser Diode Technologies

Laser Lab Source Inc.  
1820 W. Lincoln Street  
Bozeman, MT USA 59715  
[contact@LaserDiodeSource.com](mailto:contact@LaserDiodeSource.com)  
[contact@LaserDiodeControl.com](mailto:contact@LaserDiodeControl.com)  
800-887-5065

800-887-5065