

785nm, 30mW Single Mode Laser Diode, Coaxial Package, PM Fiber-Coupled



Features

- 785nm, 30mw Output
- 5 μ m PM Fiber, NA 0.12
- FC/APC Fiber Connector
- Coaxial Package with Mounting Bracket
- Integrated Photodiode

LASER LAB SOURCE

World Leading Products for **Laser Scientists & Engineers**

785NM-30MW-PD Overview

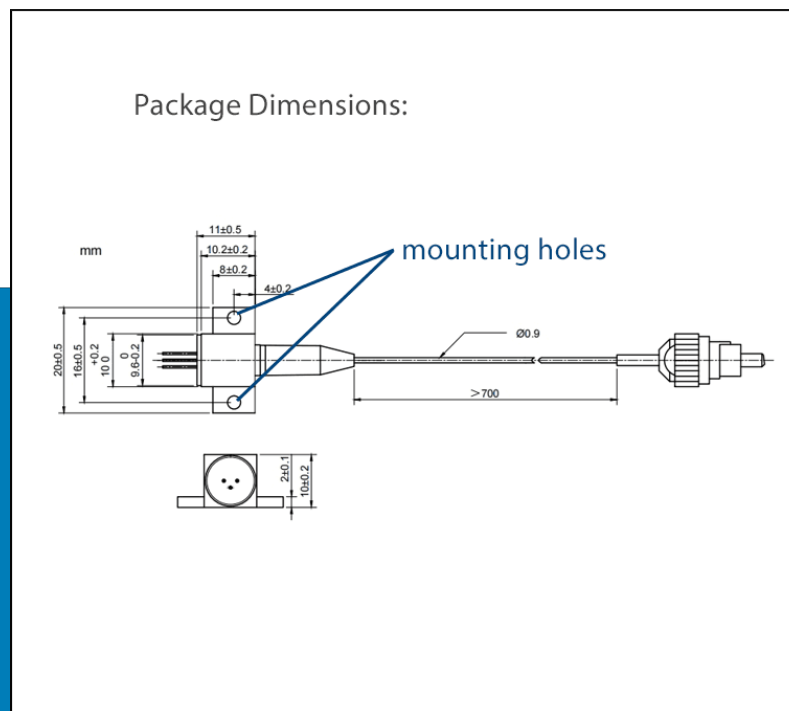
This Fabry-Perot laser is offered in a single-mode, polarization maintaining, fiber-coupled coaxial laser package. There is an integrated photodiode for stable constant-power mode control.

This laser is coupled to 5 μ m PM fiber, NA 0.12, and terminated with an FC/APC connector. Other fiber and connector options are available; inquire for options and details.

Proven Laser Diode Expertise

These high stability fiber coupled laser diodes are designed and manufactured to meet the most demanding R&D and industrial applications.

Proprietary design, packaging, and fiber coupling processes produce laser diodes with very high stability and low noise. Each laser diode is subject to extensive testing and burn-in before shipment to ensure the highest possible levels of quality and long term reliability.





OPTICAL SPECIFICATIONS AT 25°C

- Center Wavelength: 785 nm \pm 10 nm
- Output Power: 30 mW
- Wavelength Temperature Coefficient: 0.3 nm/°C
- Spectral Width (FWHM): 2.0 nm
- Beam Type: Gaussian
- Polarization Extinction Ratio: 15 dB

ELECTRICAL SPECIFICATIONS AT 25°C

- Operating Current: 125 mA
- Threshold Current: 35 mA
- Operating Voltage: 2.3 V

PACKAGE AND FIBER SPECIFICATIONS

- Coaxial Package with Mounting Bracket
- Integrated Photodiode for Constant-Power Mode Control
- Fiber Type: Polarization Maintaining, Single Mode
- Fiber Connector: FC/APC
- Slow Axis Aligned to the Key of the FC Connector
- Fiber Core Diameter: 5 μ m
- Fiber NA: 0.12

WORLD LEADING PRODUCTS
FOR LASER SCIENTISTS AND ENGINEERS