

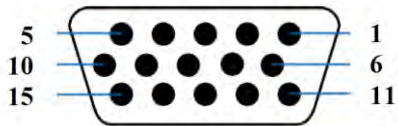
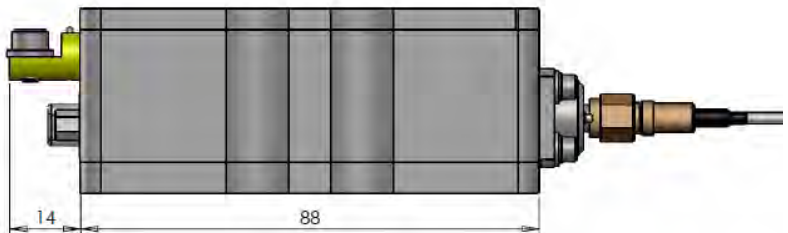
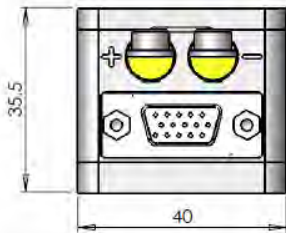
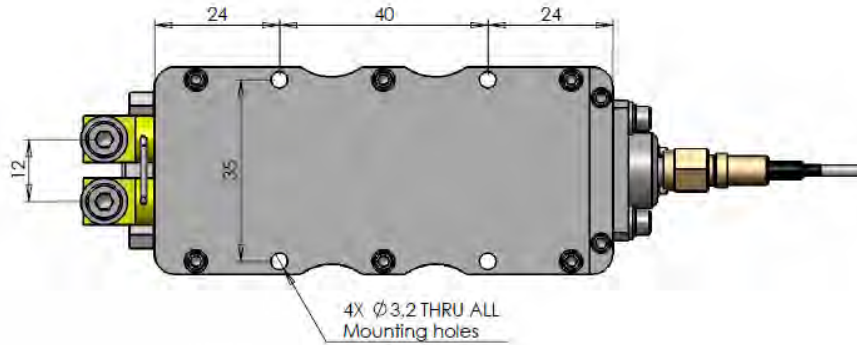
Item Number: 6018-M003

Item Description: 1875nm, 5W, 400um fiber-coupled module with *Medica* options

| Parameter | Units | Minimum | Typical | Maximum |
|--|--|---------|--------------|------------|
| Optical | | | | |
| CW Output Power from Fiber | W | 5 | | |
| Center Wavelength | nm | 1870 | 1875 | 1880 |
| Spectral Width (FWHM) | nm | | | 20 |
| Fiber Core Diameter | µm | | 400 | |
| Fiber NA | - | | 0.22 | |
| Temperature tuning coefficient | nm/°C | | 0.9 | |
| Electrical (FCA) | | | | |
| Operating Current (I _{OP}) | A | | 45 | 55 |
| Operating Voltage (V _{OP}) | V | | 1.0 | 1.2 |
| E-O conversion efficiency | % | | 10 | |
| Thermal | | | | |
| Operating Temperature | °C | 20 | 25 | 30 |
| Storage Temperature | °C | -20 | | 70 |
| Mechanical | | | | |
| Module dimensions | mm | | 88 x 40 x 36 | |
| Fiber length | m | | user defined | |
| Fiber Input connector | - | | HP-SMA 905 | |
| Thermistor | | | | |
| Type | - | | NTC | |
| Resistance at 25°C | KΩ | | 10 | |
| Optional Aiming Beam | | | | |
| Wavelength | nm | | | 635 +/- 10 |
| Optical power | mW | | | >=1.0 |
| Optional Monitoring Photo Diode | | | | |
| Output signal at full power | µA | 50 | | 250 |
| Optional Fiber detection sensor | | | | |
| Type of fiber sensor | Opto-electrical fiber sensor | | | |
| Testing method | Check the voltage signal across pion#1and #9 at DB-15 connector. | | | |
| Signal | ≤0.5V with fiber, ≥4.5V w/o fiber | | | |
| Optional Blast shield | | | | |
| Maintenance | Field replaceable | | | |
| Control signal | | | | |
| Interfacing | DB-15 connector at module back wall | | | |

Notes

- Temperature tuning in the range of 25+/-5C is required to meet the wavelength spec
- Non-condensing operating environment required



| Pin number | Assignment |
|------------|--------------------------------------|
| 1 | Fiber detection sensor output signal |
| 2 | Fiber detection sensor "+5V" |
| 3 | Aiming beam "+" |
| 4 | Aiming beam Ground |
| 5 | Monitor Photodiode "+" |
| 6 | Monitor Photodiode "-" |
| 7 | Not used |
| 8 | Not used |
| 9 | Fiber sensor common ground |
| 10 | Not used |
| 11 | Not used |
| 12 | Not used |
| 13 | Not used |
| 14 | Thermistor (NTC) |
| 15 | Thermistor (NTC) |

