



1310nm 155Mb/s FP FC TOSA

LDM3S558-F

Features

- *Data rate up to 155Mbit/s*
- *High performance FP LD*
- *High reliability*
- *Coaxial FC package (4pin)*
- *Industry-standard TO-56 packaged*

Application

- *SDH/SONET STM-1*
- *ATM*
- *100M Fast Etherne*
- *Other applications*

Absolute Maximum Ratings

Parameter	Symbol	Unit	Min	Max
Storage Temperature Range	T _s	°C	-40	85
Relative Humidity	RH	%	-	85

Laser Diode Reverse Voltage	V_{RL}	V	-	2
Laser Diode Forward Current	I_{FL}	mA	-	100
Lead Solder Temperature	-	°C	-	260
Lead Soldering Time	-	s	-	10

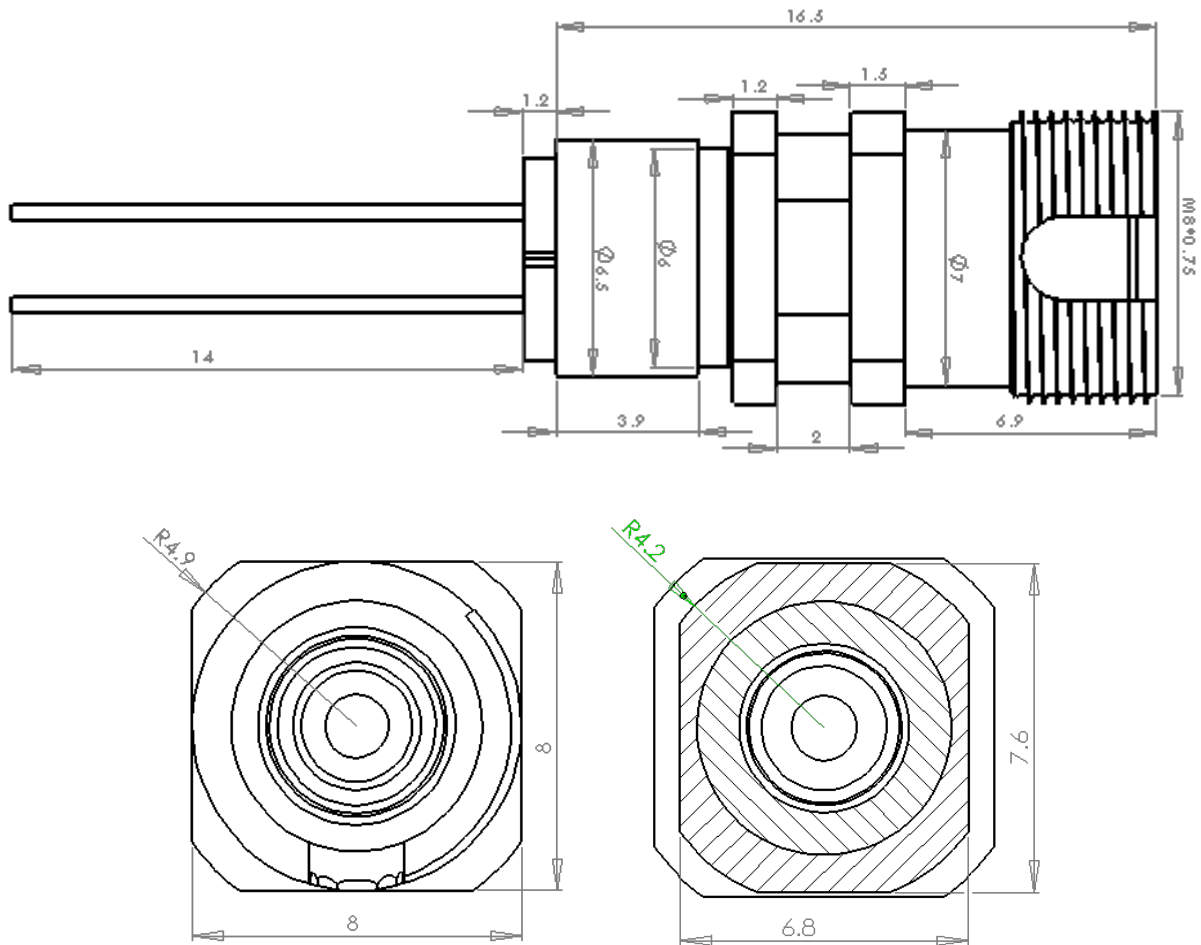
Specifications ($T_c=25^\circ\text{C}$, unless otherwise noted)

Parameter	Symbol	Unit	Min	Typ	Max	Test condition
Electrical Characteristics						
Forward Voltage	V_{op}	V	-	1.2	1.5	CW, $I_f = I_{th} + 14\text{mA}$
Threshold Current	I_{th}	mA	-	-	25	CW
			-	-	40	CW, $T_c = -40$ to 85°C
Rise/Fall Time	$T_{r/f}$	ns	-	-	0.7	$I_b = I_{th}$; 10%~90%
Series resistor	R_s	Ohm	-	-	10	CW
Optical Characteristics						
Optical Output Power	P_o	mW	0.1	-	-	CW, $I_f = I_{th} + 14\text{mA}$
Slope Efficiency	η_d	mW/mA	0.007	-	-	CW
Central Wavelength	λ_c	nm	1260	1310	1350	CW
Spectral Width	$\Delta\lambda$	nm	-	-	3	CW, RMS
Connector Repeatability	-	dB	-	-	± 0.5	Same plug orientation, same fiber, 10 times plug, CW

Pin Description

Pin	Description	Bottom View
1	CASE	
2	LD (P) / LD SAFEGUARD(N)	
3	LD (N) / LD SAFEGUARD(P)	
4		

Package Outline (Unit: mm)



Ordering Information

Part No.	Specification					
	Package	Datarate	Laser	Optical Power	Temp	Others
LDM3S558-F*	FC TOSA	155M	1310nm FP	0.1mW	0~70°C	

*: The product marked with * is not available at present.

WTD reserves the right to make changes to the product(s) or information contained herein without notice. No liability is assumed as a result of their use or application. No rights under any patent accompany the sale of any such product(s) or information.

Edition 2009-12-01

Published by Wuhan Telecommunication Devices Co.,Ltd.

Copyright © WTD

All Rights Reserved.