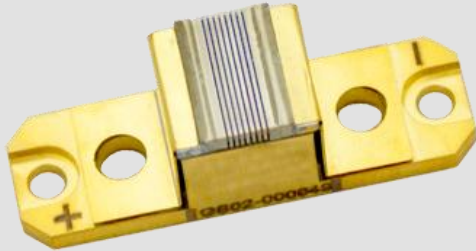


Conduction Cooled QCW Vertical Stack Diode Laser (G-Stack)



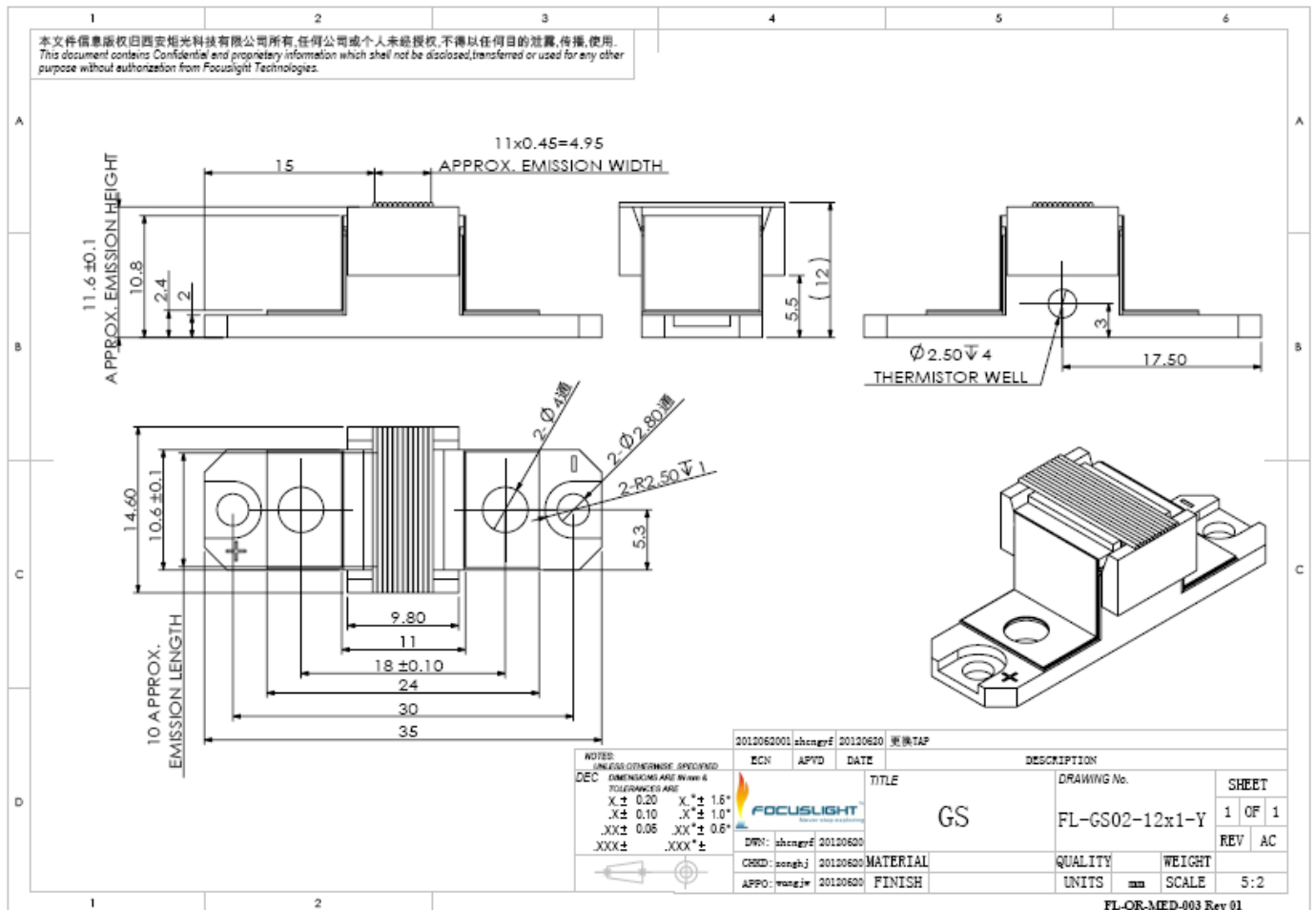
Features

- Long lifetime
- AuSn bonding
- Compact size
- Harsh environment applications
- High power
- Narrow spectrum
- Long storage time

Applications

- Pumping
- Industry

Device Dimension (mm)



1 This structure drawing is only for reference. For any other special requirement, please feel free to contact us.

2 Drawings for 2-12 bars are available. Please contact Focuslight for details.

Conduction Cooled QCW Vertical Stack Diode Laser (G-Stack)

Specification

Module Type ¹	Units	FL-GSxx-N -##-808(Q)	FL-GSxx-N -##-808(Q)	FL-GSxx-N -##-808(Q)	FL-GSxx-N -##-940(Q)	FL-GSxx-N -##-940(Q)	FL-GSxx-N -##-940(Q)
Optical ^{3,5}							
Center Wavelength λ	nm	808	808	808	940	940	940
Wavelength Tolerance	nm	± 3	± 3	± 3	± 5	± 5	± 5
Output Power per Bar ²	W	150	200	250	150	200	250
Number of Bars	-	1~12	1~12	1~12	1~12	1~12	1~12
Spectral Width FWHM	nm	≤ 6	≤ 4	≤ 5	≤ 5	≤ 6	≤ 6
Spectral Width FW90%E	nm	≤ 8	≤ 6	≤ 8	≤ 8	≤ 8	≤ 8
Fast Axis Divergence(FWHM)	degree	-	35	35	35	35	35
Slow Axis Divergence (FWHM)	degree	-	8	8	8	8	8
Pulse Width	ms	≤ 0.2	≤ 0.2	≤ 0.3	≤ 0.3	≤ 0.3	≤ 0.3
Duty Cycle	%	≤ 1	≤ 1	≤ 1	≤ 1	≤ 1	≤ 1
Polarization Mode	-	TE	TE	TE	TE	TE	TE
Wavelength Temp. Coefficient	nm/°C	~ 0.28	~ 0.28	~ 0.28	~ 0.33	~ 0.33	~ 0.33
Electrical Parameters ^{3,5}							
Operating Current I_{op}	A	≤ 170	≤ 190	≤ 250	≤ 160	≤ 200	≤ 250
Threshold Current I_{th}	A	≤ 15	≤ 25	≤ 30	≤ 20	≤ 20	≤ 20
Operating Voltage V_{op}	V	≤ 2	≤ 2	≤ 2	≤ 2	≤ 2	≤ 2
Slope Efficiency	W/A	≥ 1	≥ 1.1	≥ 1.1	≥ 1.05	≥ 1.05	≥ 1.05
Power Conversion Efficiency	%	≥ 42	≥ 50	≥ 50	≥ 52	≥ 52	≥ 52
Thermal Parameters							
Operating Temperature	°C	15~30	15~30	15~30	15~30	15~30	15~30
Storage Temperature ⁴	°C	0~55	0~55	0~55	0~55	0~55	0~55
Recommended Heatsink Capacity	W	≥ 35	≥ 40	≥ 50	≥ 30	≥ 40	≥ 50

¹Explanation for the name of Module Type: FL(abbreviation of Focuslight) –GSxx (structure code) –N (Number of Bars) –##(Power) –808(center wavelength)(Q:QCW).

²Reduced lifetime if used above nominal operating conditions.

³Data at 25°C temperature, unless otherwise stated.

⁴A non-condensing environment is required for storage and operation below ambient dew point.

⁵If there are any other requirements, please contact us.



Focuslight Technologies Co., Ltd.

Add: No.17 Xinxu Road, New Industrial Park

Xi'an, Shaanxi, P.R.China 710119

Tel: +86-29 8888 0786

Fax: +86-29 8888 7075

Email: sales@focuslight.com.cn

Website: www.focuslight.com.cn

Copyright ©2009 Focuslight. All rights reserved.



Device Dimension (mm)

