

4pin coaxial pigtailed 1310nm FP Laser

LDM3S50 Series

Features

- *Bandwidth 800MHz or 1800MHz*
- *High-reliability FP LD*
- *Operating wavelength 1310 nm*
- *4-pin coaxial pigtailed package, single mode FC/PC connector or customized*

Application

- *For trunk communications and LANs*

Absolute Maximum Ratings

Parameter	Symbol	Unit	Min	Max
Storage Temperature Range	Ts	°C	-40	85
Relative Humidity	RH	%	-	95
Monitor detector	Reverse photocurrent	IFD	mA	- 1
	Forward current	IRD	mA	- 2
	Reverse voltage	VRD	V	- -15
Laser chip	Forward current	IRL	mA	- 100
	Reverse current	IFL	mA	- 2
	Reverse voltage	VRL	V	- 2
Lead Solder Temperature	-	°C	-	260
Lead Soldering Time	-	s	-	10
Fiber bend radius	-	mm	30	-

Recommended Operating Conditions

Parameter	Symbol	Unit	Min	Typ	Max
Operating Temperature Range	Tc	°C	-20	-	70
Operating Voltage	VOP		-	-	1.6

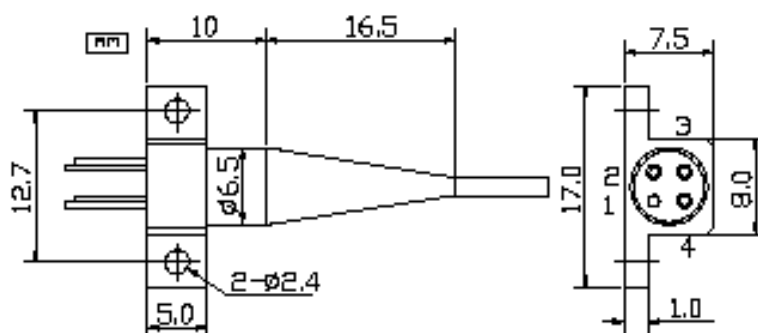
Specifications (T=25°C, BOL, unless otherwise noted)

Parameter	Symbol	Unit	Min	Typ	Max	Test condition
Electrical Characteristics						
Threshold Current	Ith	V	-	-	25	CW
			-	-	40	CW, over temperature
Monitor Current	Im	μA	80	-	-	CW, at rated output power
Monitor Dark Current	Id	nA	-	-	10	VR=-5V
Series Resistance	Rs	Ω	-	-	10	CW
Optical Characteristics						
Optical Output Power	Po	mW	0.1	-	2	CW, If = Ith + 20mA
Central Wavelength	λc	nm	1280	1310	1330	CW
			1265	1310	1350	CW, over temperature
Spectral Width	Δλ	nm	-	-	5	RMS
Rise/Fall Time	Tr/f	ns	-	-	0.5	CW
			-	-	0.2	
Tracking error	ΔPf	dB	-1	-	1	CW, Im=Im, 0~70 oC
Bandwidth	BW	MHz	800	-	-	-3dB
			1750	-	-	

Pin Description

Pin	Description	Bottom view
1	LD (P)	
2	LD (N)	
3	Detector (N)	
4	Detector (P)	

Package Outline (unit: mm)



Ordering Information

Part No	Specification					
	Package	Bandwidth	Laser	Optical Power	Temp	Others
LDM3S501	Coaxial pigtail	>800MHz	1310nm FP	0.1mW	-20 °C ~70 °C	-
LDM3S502	Coaxial pigtail	>800MHz	1310nm FP	0.2mW	-20 °C ~70 °C	-
LDM3S503	Coaxial pigtail	>800MHz	1310nm FP	0.5mW	-20 °C ~70 °C	-
LDM3S504	Coaxial pigtail	>800MHz	1310nm FP	1mW	-20 °C ~70 °C	-
LDM3S505	Coaxial pigtail	>800MHz	1310nm FP	2mW	-20 °C ~70 °C	-
LDM3S506	Coaxial pigtail	>1.8GHz	1310nm FP	1mW	-20 °C ~70 °C	-

WTD reserves the right to make changes to the product(s) or information contained herein without notice. No liability is assumed as a result of their use or application. No rights under any patent accompany the sale of any such product(s) or information.

Edition 2009-12-01

Published by Wuhan Telecommunication Devices Co.,Ltd.

Copyright © WTD

All Rights Reserved.