

High Power Multimode Laser Arrays PML-1xx series

Princeton Lightwave offers a series of high power laser diode arrays for long wavelength (1400 to 1850 nm) applications. These lasers feature a proprietary MQW laser structure that yields exceptional high power and reliability. Applications include solid state laser and fiber laser pumping. Arrays are mounted on a copper block heat sink that can be easily cooled to achieve specified output powers.



Features:

- High Power 1 cm arrays
 - 25W @ 1450 nm
 - 10W @ 1850 nm
- High Reliability

Applications:

- Solid State Laser Pumping
- Fiber Laser Pumping
- Medical Instrumentation
- Defense/Aerospace

Key Product Specifications 1450/1470 nm and 1850 nm Long Wavelength Arrays

Parameter	1450/1470	1850	units
Wavelength	1450/1470	1850	nm
Maximum Output Power	25	>10	W
Forward Voltage	1.25	1.3	V
Threshold Current	15	8	A
Wavelength Tolerance	±20	±20	nm
Spectral Width	8	13	nm
Slope Efficiency	0.48	0.31	W/A
Slow Axis Divergence (FWHM)	8	10	degrees
Fast Axis Divergence (FWHM)	42	65	degrees
Number of Emitters	19	10	
Emitter Width	100	100	μm
Emitter Pitch	500	1000	μm
Fill Factor	20	10	%
Bar Length	1	1	cm

Ordering Information

Product Number	Description
PML-150	1450 nm CS mounted bar
PML-170	1470 nm CS mounted bar
PML-185	1532 nm CS mounted bar

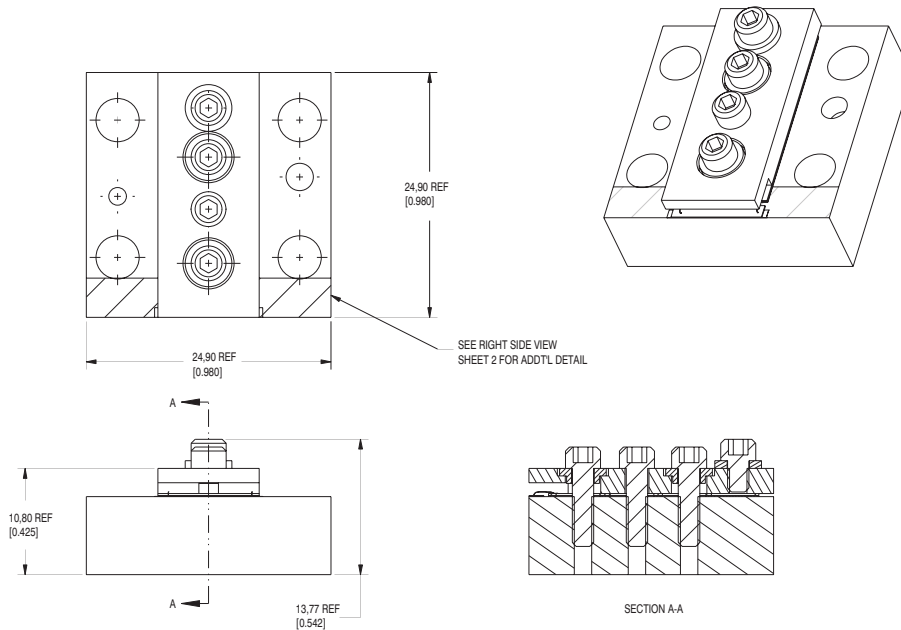
Princeton Lightwave, Inc.
2555 Route 130 South Suite 1, Cranbury, NJ 08512
Tel: 609.495.2600
Fax: 609.395.9114
email: sales@princetonlightwave.com
website: www.princetonlightwave.com

Princeton Lightwave, Inc. reserves the right to make changes to the product(s) and information contained herein without notice. No liability is assumed by Princeton Lightwave as a result of the use or application of this product.

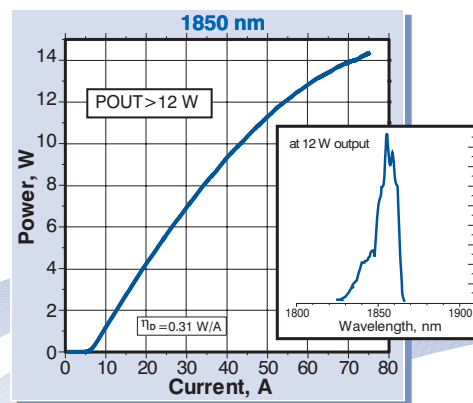
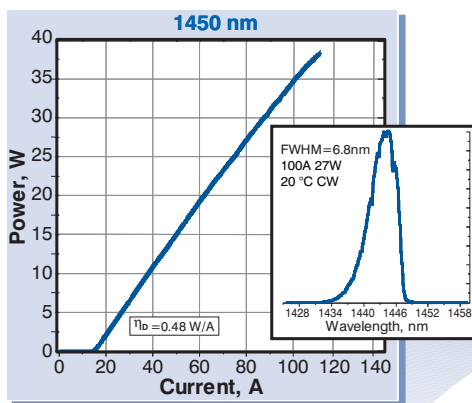
Copyright 2005 Princeton Lightwave, Inc.
All rights reserved.



Mechanical Drawing



Performance



Princeton Lightwave, Inc.
2555 Route 130 South Suite 1, Cranbury, NJ 08512
Tel: 609.495.2600
Fax: 609.395.9114
email: sales@princetonlightwave.com
website: www.princetonlightwave.com

Princeton Lightwave, Inc. reserves the right to make changes to the product(s) and information contained herein without notice. No liability is assumed by Princeton Lightwave as a result of the use or application of this product.

Copyright 2005 Princeton Lightwave, Inc.
All rights reserved.

