

# 1470nm, Conduction-Cooled Single Bars

## Features

- Very low smile
- Available with fast-axis collimation
- Different heatsink geometries available



## Device Specification

Optical Parameters <sup>1</sup>	Units	CW	QCW <sup>7</sup>
Center Wavelength Range <sup>3</sup>	nm	1470	1470
Center Wavelength Tolerance	nm	±20	±20
Output Power <sup>2</sup> (P <sub>OP</sub> )	W	20	80
Number of Emitters	#	20	20
Emitter Size	µm	100	100
Fill Factor	%	20	20
Spectral Width (FWHM)	nm	<12	<14
Slope Efficiency	W/A	>0.46	>0.50
Fast-Axis Divergence <sup>5</sup> (90%)	degree	<60 <sup>6</sup>	<60 <sup>6</sup>
Slow-Axis Divergence (90%)	degree	<8 <sup>6</sup>	<8 <sup>6</sup>
Wavelength Temp. Coefficient	nm/°C	~0.58	~0.58

Electrical Parameters <sup>1</sup>			
Power Conversion Efficiency	%	>28	>24
Threshold Current (I <sub>TH</sub> )	A	<11	<13
Operating Current (I <sub>OP</sub> )	A	<60	<160
Operating Voltage (V <sub>OP</sub> )	V	<1.40	<2.00

Thermal Parameters <sup>1</sup>			
Operating Temperature Range <sup>4</sup>	°C	+20 to +30	+20 to +30
Storage Temperature Range <sup>4</sup>	°C	0 to +55	0 to +55
Recommended Heatsink Capacity Per Bar	W	>80	>20

<sup>1</sup>Data at 25°C cold plate temperature, unless otherwise stated.

<sup>2</sup>Reduced lifetime if used above nominal operating conditions.

<sup>3</sup>Others available upon request.

<sup>4</sup>A non-condensing environment is required for storage and operation below the ambient dew point.

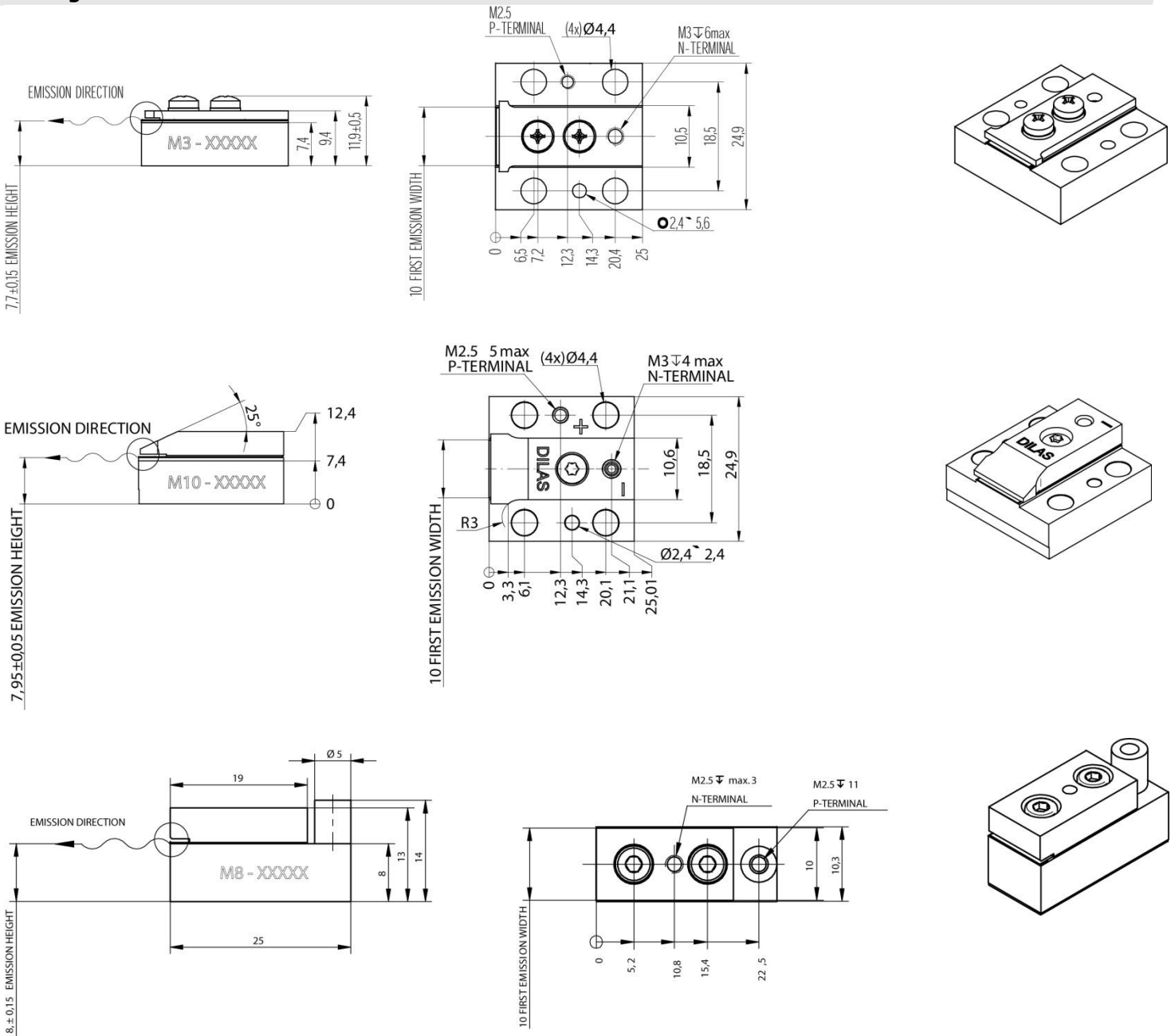
<sup>5</sup>For fast-axis collimation using FAC lens: divergence <8mrad.

<sup>6</sup>Bar manufacturer information.

<sup>7</sup>Depending on pulse width and duty cycle.

# 1470nm, Conduction-Cooled Single Bars

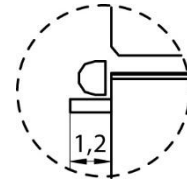
## Package Dimension



## Heatsink for MY Diode Laser Bars with Fast-Axis Collimation Lens:

Beam heights available:  
 M3 mount = 7.7mm  
 M10 mount = 7.95mm  
 M8 mount = 8.0mm

Upon request:  
 M7 mount = 6.0mm



©2012 DILAS. All rights reserved. DILAS reserves the right to change product specifications without notice. For handling precautions, please reference the general handling instruction manual.

For complete details, please contact your local DILAS sales representative or visit our website at [www.DILAS.com](http://www.DILAS.com).

**Europe**  
**DILAS Diodenlaser GmbH**  
 Galileo-Galilei-Straße 10  
 55129 Mainz  
 Germany  
 Phone: +49 (0)6131 9226 0  
 Fax: +49 (0)6131 9226 257  
 Email: [sales@DILAS.de](mailto:sales@DILAS.de)

**North America**  
**DILAS Diode Laser, Inc.**  
 9070 South Rita Road  
 Suite 1500  
 Tucson, AZ 85747  
 Phone: +1 (520) 232-3480  
 Fax: +1 (520) 232-3499  
 Email: [sales@DILAS-INC.com](mailto:sales@DILAS-INC.com)

**China & Taiwan**  
**DILAS Diodenlaser GmbH**  
 China Sales Office  
 Room 206, Sunplus Technology, Bldg. 2  
 No. 1077 Zu Chongzhi Road  
 Hi-Tech Park, Shanghai 201203,  
 P.R. China  
 Phone: +86 (0) 21-6855-2216  
 Fax: +86 (0) 21-5027-3793  
 Email: [sales@dilas-china.com.cn](mailto:sales@dilas-china.com.cn)