



AC2260 Series

Uncooled 4.25 Gbps 1310 nm DFB Laser in TO Package



Description

The AC2260 series laser is an uncooled semiconductor InAlGaAs MQW-DFB laser working at 1310 nm wavelength. The device is delivered in a hermetic TO-56 package with integrated InGaAs photodiode for optical power monitoring. This high performance and high reliability laser is suitable for applications up to 4.25 Gbps in fiber optics links.

Features

- 1310 nm typical emission wavelength
- High power over wide temperature range
- High side-mode-suppression ratio (typical $\geq 40\text{dB}$)
- High Reliability
- Multi-quantum Well (MQW) active layer
- Aspherical lens TO package

Applications

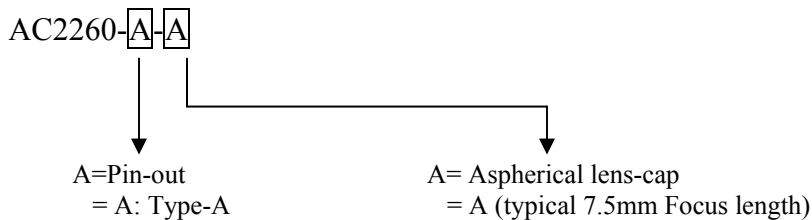
- Fiber Channel
- Telecommunication
- Data Communication
- Analog fiber optic links
- Storage area networks
- Access networks

Absolute Maximum Rating

Symbol	Parameter	Ratings	Unit
V_{RL}	Reverse Voltage (Laser diode)	2	V
I_{FL}	Forward Current (Laser diode)	100	mA
V_{RD}	Reverse Voltage (Photodiode)	20	V
I_{FD}	Forward current (Photodiode)	2	mA
T_C	Case temperature	0 ~ +85	$^{\circ}\text{C}$
T_{stg}	Storage temperature	-40 ~ +100	$^{\circ}\text{C}$


Electrical/Optical Characteristics ($T_c=25^\circ\text{C}$, unless otherwise specified)

Symbol	Parameter	Test Conditions	Min.	Typ.	Max.	Unit
I_{th}	Threshold current	CW		10	15	mA
P_o	Optical Power	CW, $I_{FL}=I_{th}+20\text{mA}$	4			mW
V_{op}	Operating voltage	CW, $I_{FL}=I_{th}+20\text{mA}$		1.2	1.6	V
λ_c	Center Wavelength	CW, $I_{FL}=I_{th}+20\text{mA}$	1290	1310	1330	nm
SMSR	Side-mode suppression ratio	CW, $I_{FL}=I_{th}+20\text{mA}$	30	40		dB
$\theta_{//}$	Beam convergence angle (parallel)	CW, $I_{FL}=I_{th}+20\text{mA}$		8		Deg.
θ_{\perp}	Beam convergence angle (perpendicular)	CW, $I_{FL}=I_{th}+20\text{mA}$		13		Deg.
T_r, T_f	Rise and fall time	$I_{FL}=I_{th}+20\text{mA}$, 10~90%			100	ps
I_{mon}	Monitor current (Photodiode)	CW, $V_{RD}=1\text{V}$	0.1	0.5		mA
I_D	Dark current (Photodiode)	$V_{RD}=10\text{V}$			0.1	μA
C_t	Capacitance (Photodiode)	$V_{RD}=10\text{V}$, $f=1\text{MHz}$		10	20	pF
F	Focus length	Aspherical lens cap "A"	7.2	7.5	7.8	mm

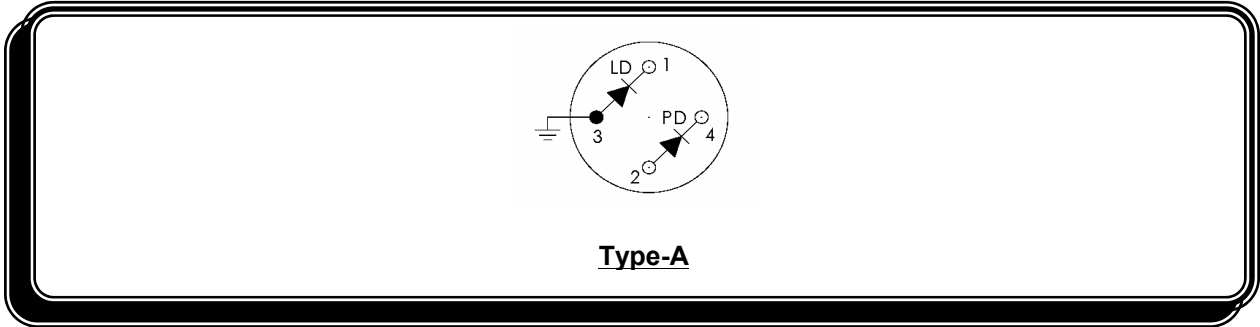
Ordering Information:


(See options next page)

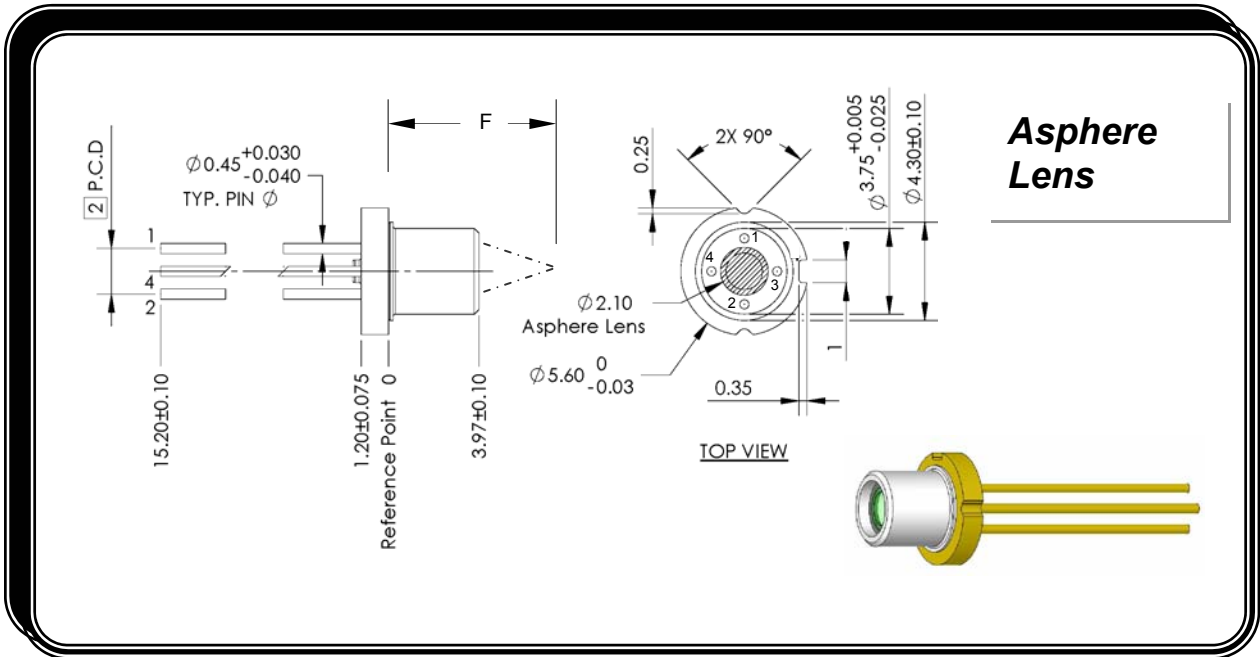
Example: AC2260-A-A is an Archcom 4.25 Gbps 1310 nm DFB laser, with Type-A pin-out, with Aspherical lens cap.



Pin-out Options (Bottom View)



Package dimension (in mm):



Archcom Technology, Inc. reserves the right to make changes in design, specifications and other information at any time without prior notice. Information in this data sheet is believed to be reliable. However, no responsibility is assumed for possible inaccuracy or omission.