



Analog 1310nm FP Coaxial Pigtail LD Module

LDM3S504-405

Features

- *Analog bandwidth $\geq 2300\text{MHz}$*
- *Operating wavelength 1310nm*
- *High-reliability FP laser chip*
- *Built-in InGaAs monitor photodiode*
- *4pin Coaxial-pigtailed package, single mode*
- *RoHS compliant*

Application

- *Mobile communication systems fiber-optical repeater*
- *CATV transmission systems return paths*
- *Other analog applications*

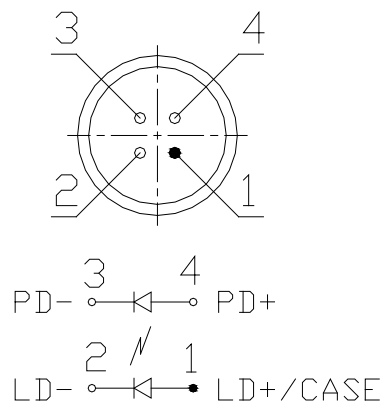
Absolute Maximum Ratings

Parameter	Symbol	Unit	Min	Max
output power	Po	mW	-	10
Laser reverse voltage	VRL	V	-	2
Laser Forward Current	IFL	mA		150
Monitor PD Reverse Voltage	VRPD	V		15
Monitor PD Reverse Current	IRPD	mA		2
Operating Temperature	Tstg	°C	-20	+85
Storage Temperature Range	Ts	°C	-40	100

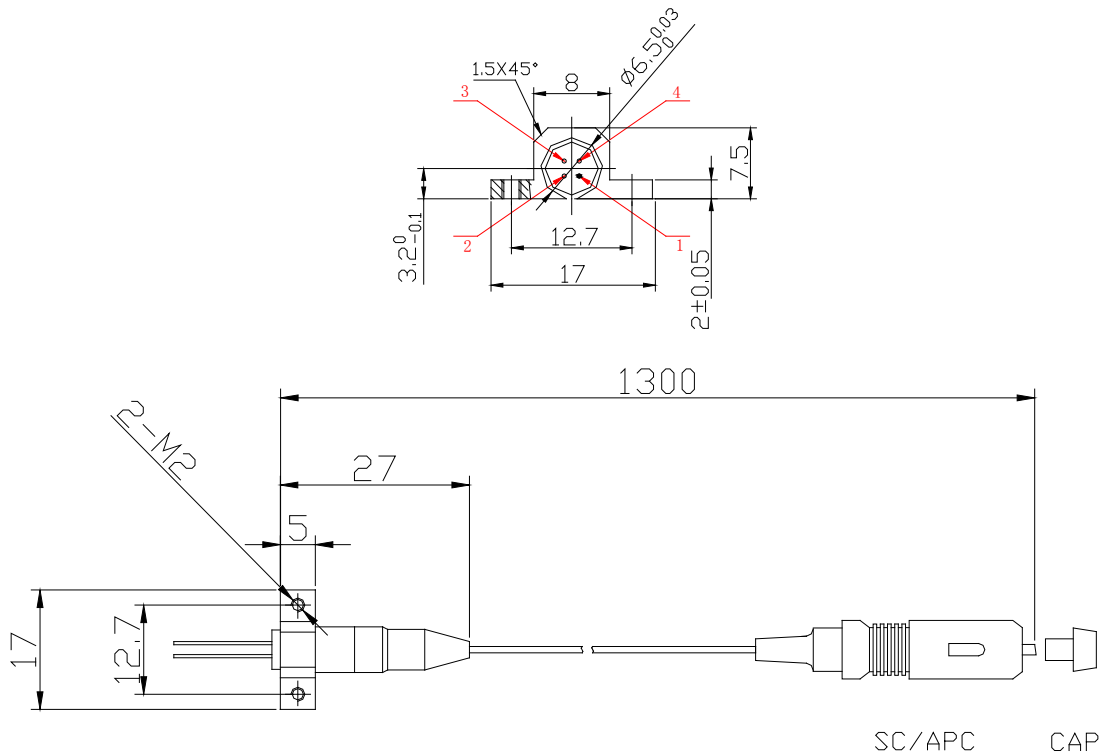
Specifications (Tc=25 °C, unless otherwise note)

Parameter	Symbol	Unit	Min	Typ	Max	Test condition
Electrical Characteristics						
Operating Voltage	Vop	V	-	-	1.5	CW, Po=1.5mw
Threshold Current	Ith	mA	-	5	15	CW
Operating Current	Iop	mA	-	25	45	Tc=25oC
			-	-	100	Tc=85oC
Analog bandwidth	BW	MHz	2300	-	-	IFL=30mA
Optical Characteristics						
Optical Output Power	Po	mW	1	1.5	2	IFL=Ith+20mA
Slope Efficiency	η	mW/mA	0.05	0.075	0.1	CW
Central Wavelength	λ c	nm	1290	1310	1330	IFL= 30mA
Spectral Width(-20dB)	Δ λ	nm	-	-	4	IFL=30mA
Tracking Error	TE	dB	-1	-	1	Tc= -20 ~ +85°C; Po=2dBm
Monitor PD Current	Im	uA	100	-	1000	Po=1.5mW
Monitor PD Dark Current	Id	nA	-	-	10	Po=0mW, -5V
Photodiode Capacitance	C	pF	-	-	20	f=1MHz, VrPD=5V

Pin Description



Package Outline



Ordering Information

Part No.	Specifications					
	Package	Bandwidth	Laser	Optical Power	Temp	Others
LDM3S504-405	Coaxial Pigtail	>2300MHz	1310nm FP	1.5mW	-20~85°C	RoHS

WTD reserves the right to make changes to the product(s) or information contained herein without notice. No liability is assumed as a result of their use or application. No rights under any patent accompany the sale of any such product(s) or information.

Edition 2009-12-01

Published by Wuhan Telecommunication Devices Co.,Ltd.

Copyright © WTD

All Rights Reserved.