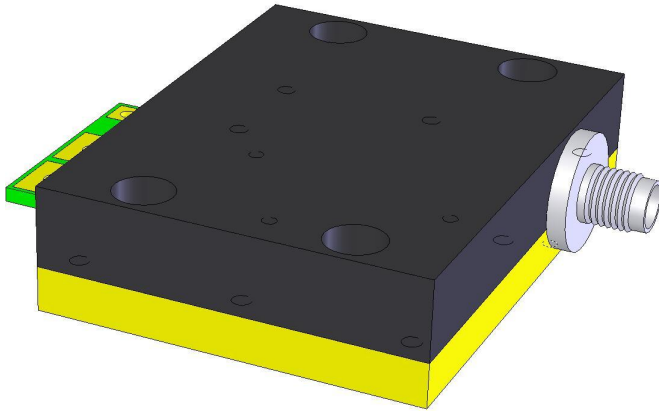


High-Power Laser Module with Fiber Output

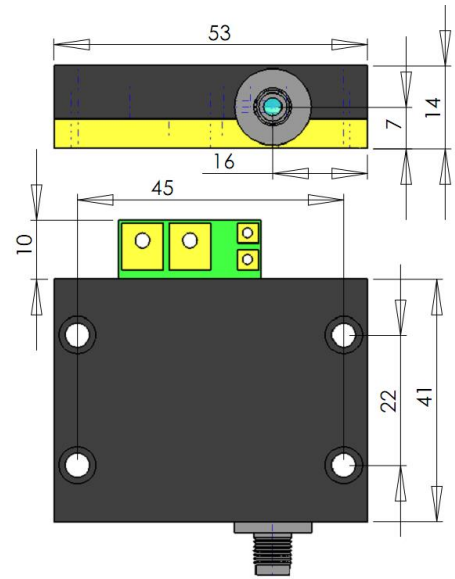
1500 nm / 1520 nm / 1532 nm / 1540 nm / 1550 nm / 1580 nm

AKELA Part Number: ALC-15xx-10000-3FM400.22 (rev. 07/12)

The package

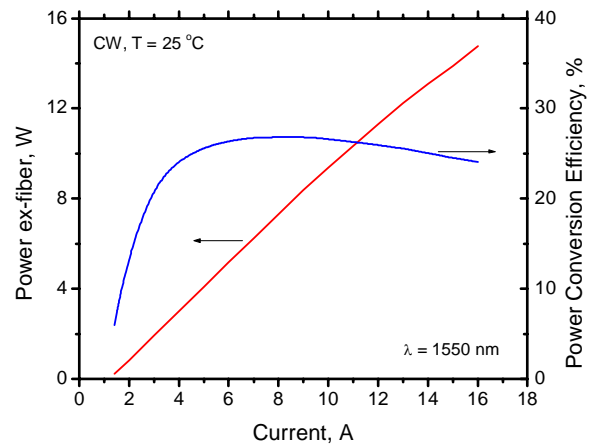


Four M3 or #4 mounting screws. Compatible with TECs with cold side dimensions within 40.5mm x 40.5mm footprint.



Typical performance characteristics

Parameter	Value	Unit
Operating output power	10	W
Operating current	11	A
Maximum current	15	A
Threshold current	1.5	A
Maximum voltage	<4.5	V
Power conversion	>20	%
Slope efficiency	1.1	W/A
Wavelength tolerance	±5, ±10, ±20	nm
Spectrum width (FWHM)	<12	nm
Operating temperature	25	°C
NTC thermistor @ 25°C	10	kΩ
Fiber core diameter/ NA	400 / 0.22	μm / ##
Fiber connector	SMA	
Mounting footprint	41 × 53	mm ²



Specifications are subject to change without notice. In addition, AKELA can customize the laser design to meet different operating parameters. Please contact us for more details.

These components do not comply with the Federal Regulations (21 CFR Subchapter 1) as administered by the Center for Devices and Radiological health. Purchaser acknowledges that his/her products must comply with these regulations before they can be sold to a customer.