

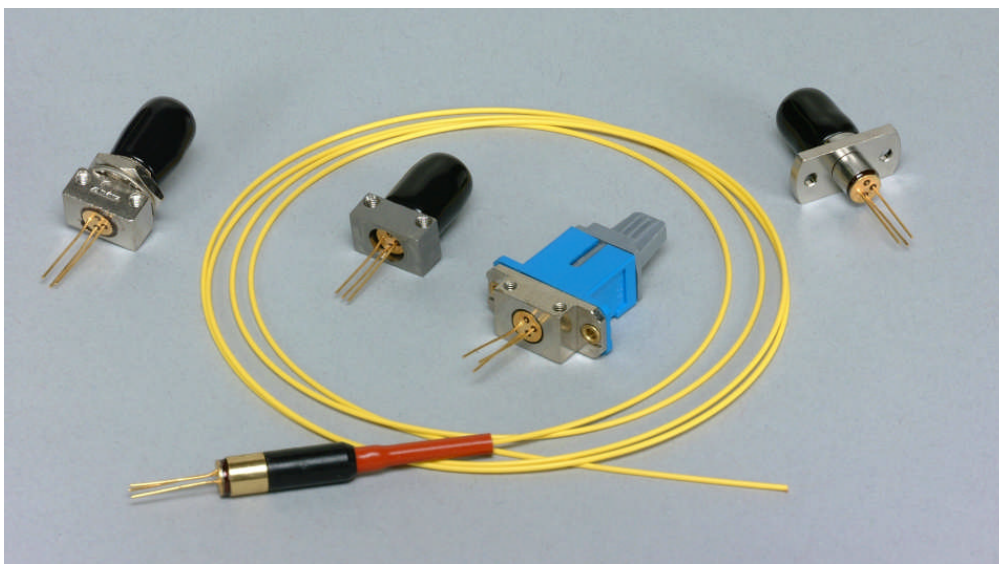


PS Series 850 nm and 1300 nm Surface Emitting LEDs and VCSELs

PD-LD Inc. offers a variety of standard Surface Emitting LED's (SLEDs) in ready to use fiber coupled packages.

The SLED product offering includes both 850nm and 1310nm devices. These units produce broad spectrum, incoherent light and have wide spectral widths. Such SLED's may be modulated from DC to 150 MHz or operated in continuous wave mode.

These devices may be operated in both analog or digital applications. It is typical to drive the SLED's with up to 100mA forward current. Such devices do not require internal monitor photodiodes which simplifies drive circuit designs.



Features 850nm SLEDs

- High reliability GaAlAs Diode
- Compact, robust receptacle & coax fiber-coupled package
- 5 to 30 uW into MMF

Features 1310nm SLEDs

- InGaAs Diodes systems
 - Wide Spectral Width, 160nm
 - Ideal for Networking Applications
- DC to 200MHz operation

Performance Specifications (Representative sample, other options available)

PD-LD Part Number	Wave-length Typ. (nm)	Operating Current (mA)		Fiber Type Core/Cladding (um)	Fiber Coupled Power (uW)		Pin-Out	Spectral Width FWHM (nm)	Rise/Fall Time Max. (nsec)
		Typ.	Max		Min	Typ			
850nm GaAlAs SLED (I_{op}=100mA @ 25C, 1.8V)									
PS85K020SC22-Q-0	850	100	110	50/125	20	25	D	35	6.0
PS85K035300A-0-0-01	850	100	110	62.5/125	35	40	D	35	6.0
PS85K020ST72-Q-0	850	100	110	50/125	20	25	D	35	6.0
1310nm InGaAs SLED (I_{op}=100mA @25 C, 1.8V)									
PS13L030300A-0-0-01	1310	100	110	62.5/125	30	35	D	160	3.0
PS13L020SC22-Q-0	1310	100	110	50/125	20	25	D	160	3.0
PS13T020ST72-Q-0	1310	100	110	50/125	20	25	D	160	3.0

¹Examples only; most device/packaging combinations available.

Changes to specifications may be made without notice.

9-08 PS Series.Rev

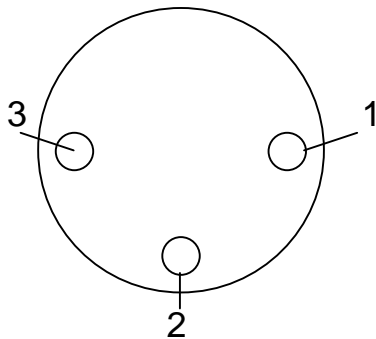


PS Series 850 nm and 1300 nm Surface Emitting LEDs and VCSELs

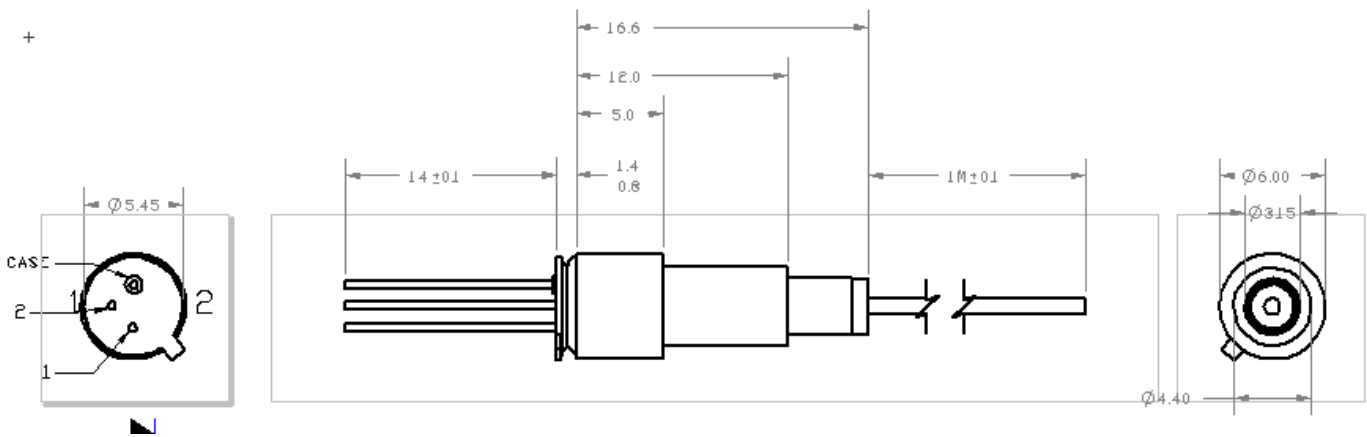
Packaging Options

Packaging options include Receptacle style housings such as ST, FC and SC as well as fiber pigtailed co-axial assemblies. SLEDs are typically used with multi-mode optical fiber and may be specified for coupling to 50um , 62.5um or 100um core optical fibers. Units built with fiber pigtailed are available terminated with optical connectors. Specialty fiber sizes may be available upon request.

SLED PIN-OUT



SLED	
Pin-Out	“85K”, “13L”, “13T”
Pin #1	SLED Anode
Pin #2	SLED Cathode
Pin #3	Case Ground



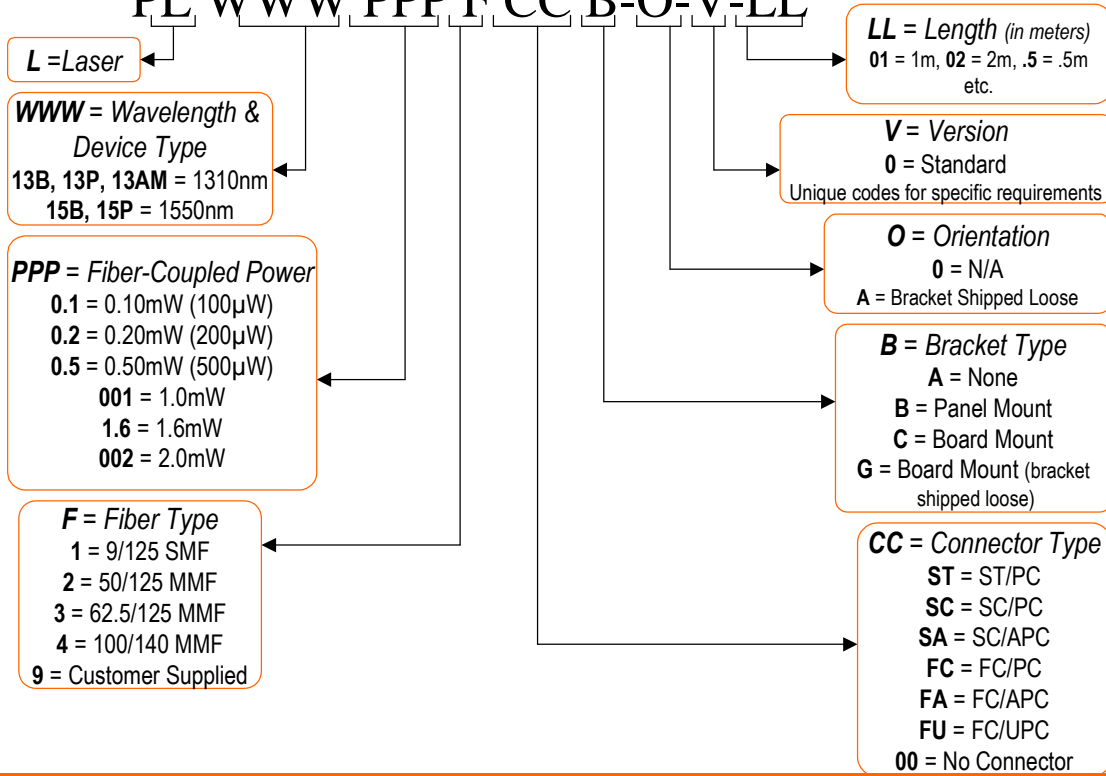


PS Series 850 nm and 1300 nm Surface Emitting LEDs and VCSELs

Ordering Information

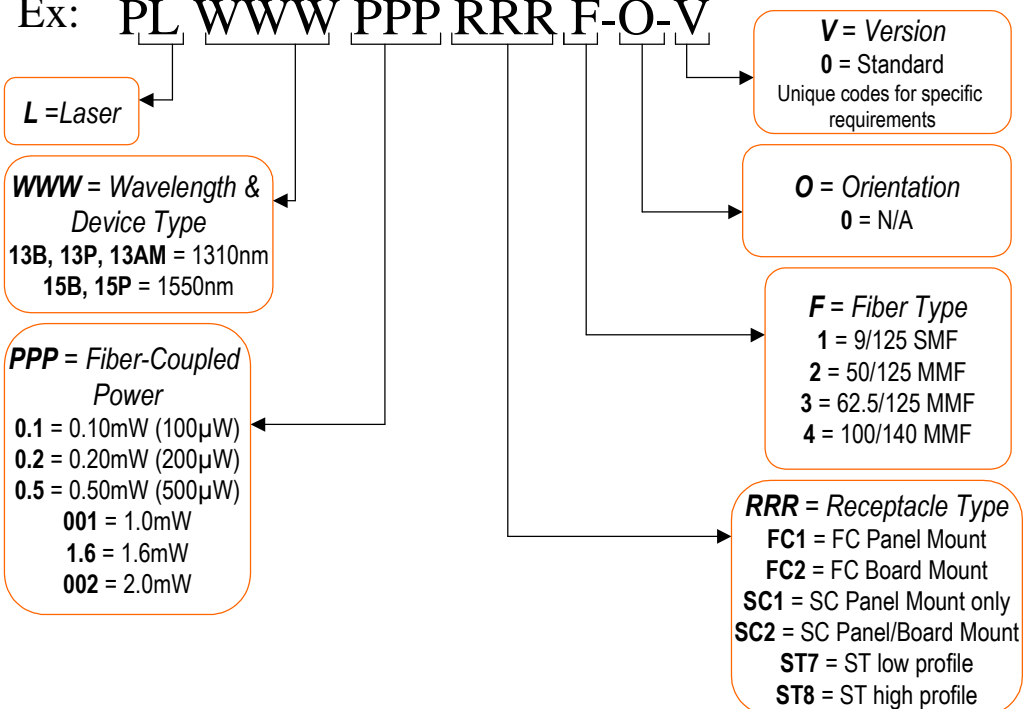
Data Legend: Pigtailed Laser Diodes

PL WWW PPP F CC B-O-V-LL



Data Legend: Receptacle Laser Diodes

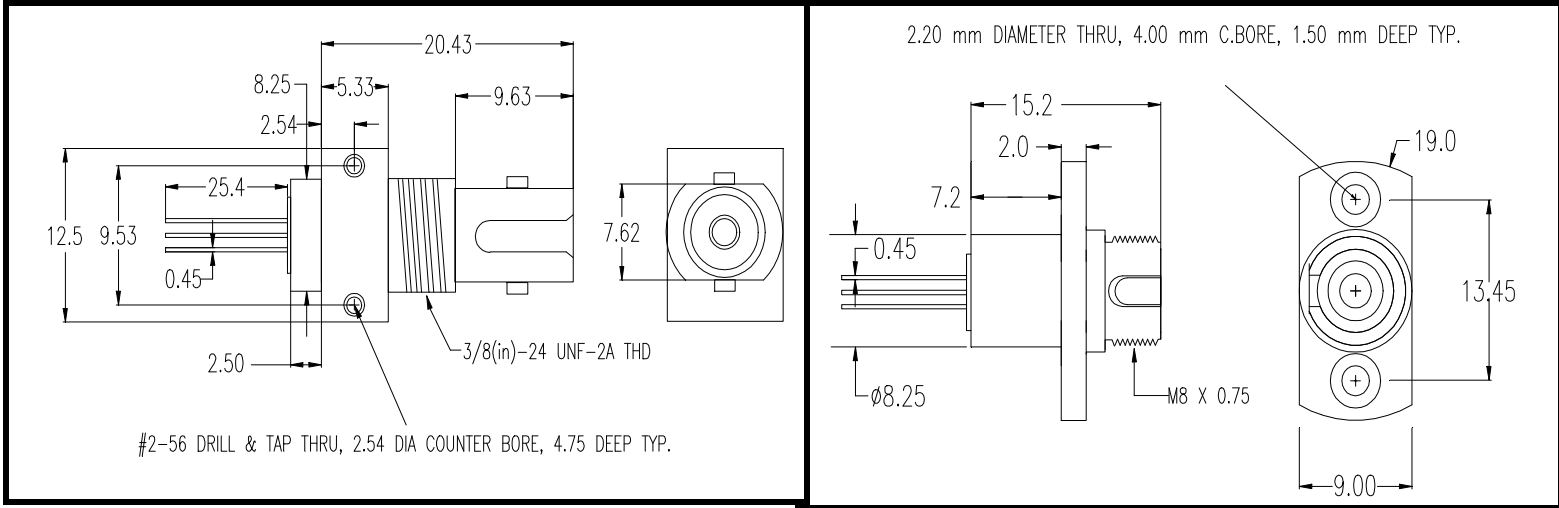
Ex: PL WWW PPP RRR F-O-V





PS Series 850 nm and 1300 nm Surface Emitting LEDs and VCSELs

Mechanical Dimensions for Receptacle Packages

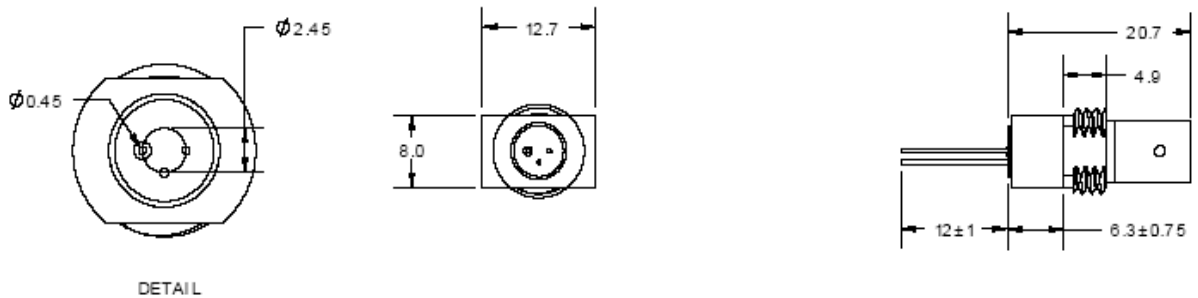
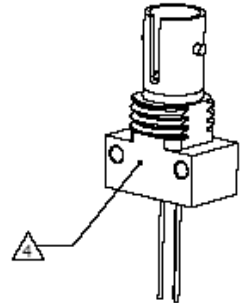
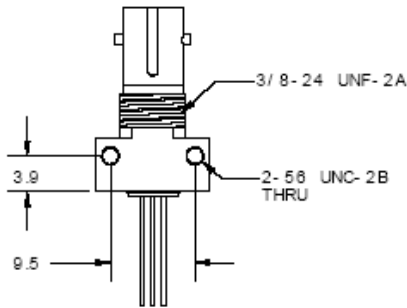


ST Board Mount Receptacle Low Profile with "W" Lead Orientation

NOTES:

- 1 THESE DEVICES ARE ESD SENSITIVE. ESD PRECAUTIONS ARE ADVISED.
- 2 ALL DEVICES ARE SHIPPED WITH ESD LEAD PROTECTORS AND DUST COVERS.
- 3 ALL DEVICES WILL BE MARKED WITH A PD-LD SERIAL NUMBER.

ZINC DIE CAST
NICKEL PLATED





PS Series 850 nm and 1300 nm Surface Emitting LEDs and VCSELs

SC Board Mount Receptacle "Q" Lead Orientation

NOTES:

- 1 THESE DEVICES ARE ESD SENSITIVE. ESD PRECAUTIONS ARE ADVISED.
- 2 ALL DEVICES ARE SHIPPED WITH ESD LEAD PROTECTORS AND DUST COVERS.
- 3 ALL DEVICES WILL BE MARKED WITH A PD-LD SERIAL NUMBER.

4 PLASTIC, BLUE

5 BRASS, NICKEL PLATED

