

## 880nm, Conduction-Cooled Single Bars

### Features

- Very low smile
- Available with fast-axis collimation
- Different heatsink geometries available



### Device Specification

Optical Parameters <sup>1</sup>	Units	
Center Wavelength Range <sup>3</sup>	nm	880
Center Wavelength Tolerance	nm	±3
Output Power <sup>2</sup> (P <sub>OP</sub> )	W	40
Number of Emitters	#	19
Emitter Size	µm	150
Fill Factor	%	30
Spectral Width (FWHM)	nm	<4
Slope Efficiency	W/A	≥1.0
Fast-Axis Divergence <sup>5</sup> (90%)	degree	<60
Slow-Axis Divergence (90%)	degree	<9
Wavelength Temp. Coefficient	nm/°C	~0.30

Electrical Parameters <sup>1</sup>		
Power Conversion Efficiency	%	>50
Threshold Current (I <sub>TH</sub> )	A	<10
Operating Current (I <sub>OP</sub> )	A	46
Operating Voltage (V <sub>OP</sub> )	V	<1.80

Thermal Parameters <sup>1</sup>		
Operating Temperature Range <sup>4</sup>	°C	+20 to +30
Storage Temperature Range <sup>4</sup>	°C	0 to +55
Recommended Heatsink Capacity Per Bar	W	>70

<sup>1</sup>Data at 25°C cold plate temperature, unless otherwise stated.

<sup>2</sup>Reduced lifetime if used above nominal operating conditions.

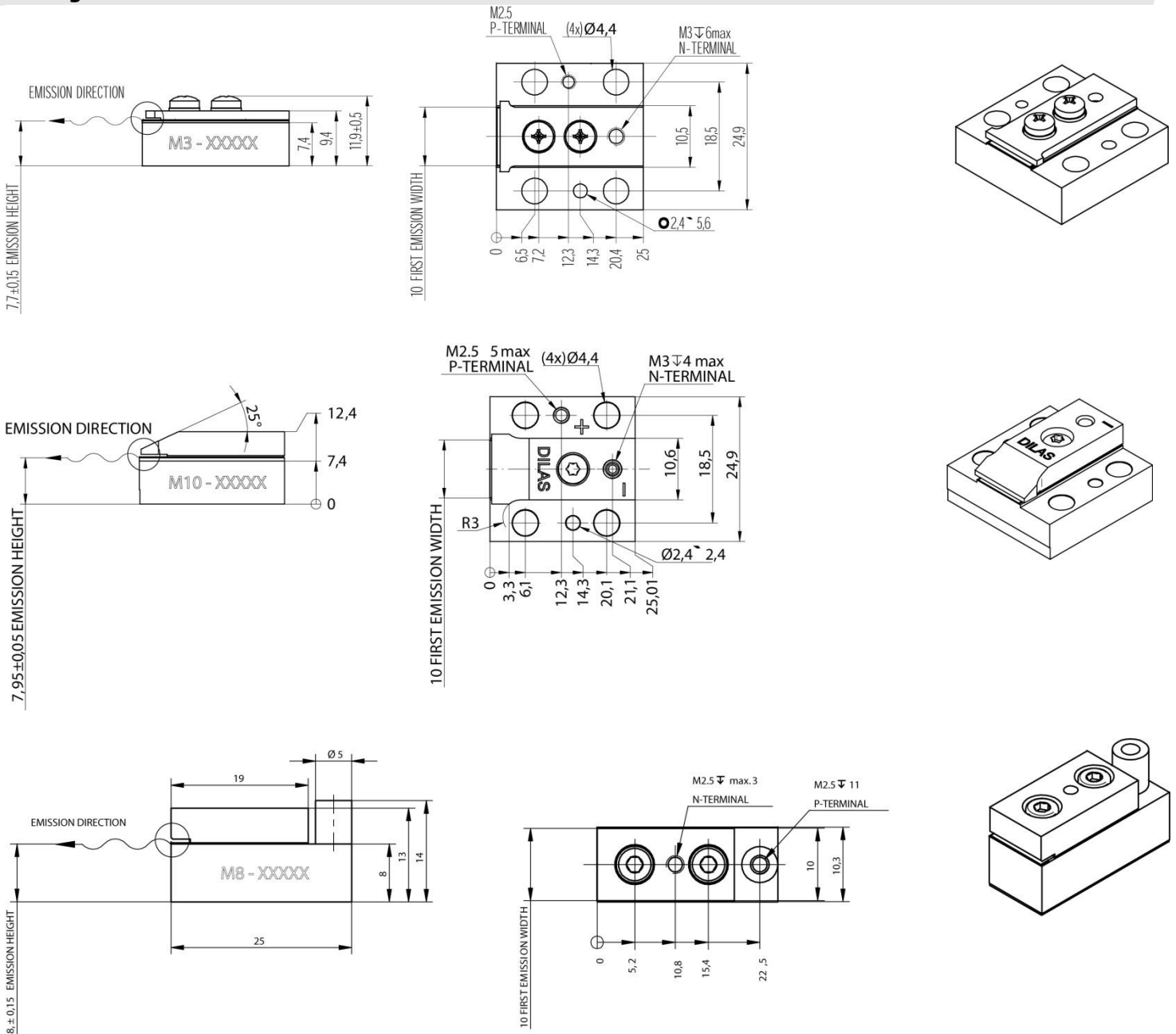
<sup>3</sup>Others available upon request.

<sup>4</sup>A non-condensing environment is required for storage and operation below the ambient dew point.

<sup>5</sup>For fast-axis collimation using FAC lens: divergence <8mrad.

# 880nm, Conduction-Cooled Single Bars

## Package Dimension



## Heatsink for MY Diode Laser Bars with Fast-Axis Collimation Lens:

Beam heights available:

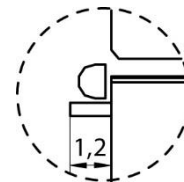
M3 mount = 7.7mm

M10 mount = 7.95mm

M8 mount = 8.0mm

Upon request:

M7 mount = 6.0mm



©2012 DILAS. All rights reserved. DILAS reserves the right to change product specifications without notice. For handling precautions, please reference the general handling instruction manual.

For complete details, please contact your local DILAS sales representative or visit our website at [www.DILAS.com](http://www.DILAS.com).

**Europe**  
**DILAS Diodenlaser GmbH**  
Galileo-Galilei-Straße 10  
55129 Mainz  
Germany  
Phone: +49 (0)6131 9226 0  
Fax: +49 (0)6131 9226 257  
Email: [sales@DILAS.de](mailto:sales@DILAS.de)

**North America**  
**DILAS Diode Laser, Inc.**  
9070 South Rita Road  
Suite 1500  
Tucson, AZ 85747  
Phone: +1 (520) 232-3480  
Fax: +1 (520) 232-3499  
Email: [sales@DILAS-INC.com](mailto:sales@DILAS-INC.com)

**China & Taiwan**  
**DILAS Diodenlaser GmbH**  
China Sales Office  
Room 206, Sunplus Technology, Bldg. 2  
No. 1077 Zu Chongzhi Road  
Hi-Tech Park, Shanghai 201203,  
P.R. China  
Phone: +86 (0) 21-6855-2216  
Fax: +86 (0) 21-5027-3793  
Email: [sales@dilas-china.com.cn](mailto:sales@dilas-china.com.cn)