

## Laser Diode



### L850P030



### Description

Thorlabs Ø5.6 mm, TO-18 can package discreet laser diode is a compact light source suited to many applications. Our lasers are fully compatible with our entire line of Laser Diode and TEC Controllers as well as our selection of Laser Diode Mounts and Collimation Solutions.

### Specifications

( $P_o = 30 \text{ mW}$ ,  $T_c = 25 \text{ }^\circ\text{C}$ )

Specification	Symbol	Max
Optical Output Power, mW	$P_o$	30
LD Reverse Voltage, V	$V_{R(LD)}$	2
PD Reverse Voltage, V	$V_{R(PD)}$	30
Operation Case Temperature, $^\circ\text{C}$	$T_{op}$	-10 to 60
Storage Temperature, $^\circ\text{C}$	$T_{STG}$	-40 to 85

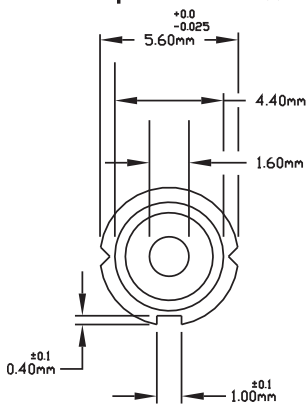
Specification	Symbol	Min	Typ	Max
Lasing Wavelength, nm	$\lambda_p$	840	850	860
Threshold Current, mA	$I_{th}$		20	35
Operation Current, mA	$I_{op}$		65	95

Specification	Symbol	Min	Typ	Max
Operating Voltage, V	$V_{op}$		2.0	2.5
Monitor Current, mA	$I_m$		0.2	0.50
Slope Efficiency, mW/mA	$\eta$	0.4	0.7	1.0
Beam Divergence, $^\circ$	$\theta_{//}$	7.0	8.5	12
Beam Divergence, $^\circ$	$\theta_{\perp}$	23	30	35
Astigmatism, $\mu\text{m}$	$A_s$			15
Beam Angle Deviation, $^\circ$	$\theta_{//}$			
Beam Angle Deviation, $^\circ$	$\theta_{\perp}$			
Emission Point Accuracy, $\mu\text{m}$	$\Delta X, \Delta Y, \Delta Z$	-60		60

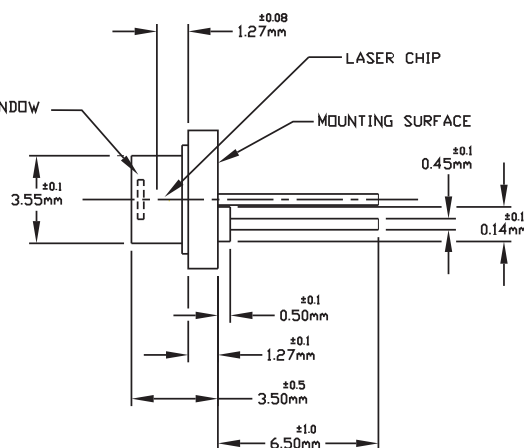
### Drawings



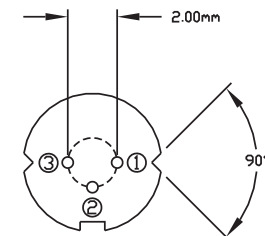
Top View



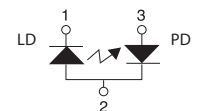
Side View



Bottom View



Pin Code 5A



Pin Description

- 1 Laser Cathode
- 2 Case Common
- 3 Monitor Diode Anode

USA, Canada, & S. America  
 Thorlabs, Inc.  
 435 Route 206  
 Newton, NJ 07860, USA  
 Tel: 973-579-7227  
 Fax: 973-300-3600  
 www.thorlabs.com  
 email: feedback@thorlabs.com

Europe  
 Thorlabs GmbH  
 Hans-Böckler-Str. 6  
 85221 Dachau, Germany  
 Tel: +49-(0)8131-5956-0  
 Fax: +49-(0)8131-5956-99  
 www.thorlabs.com  
 email: Europe@thorlabs.com

UK and Ireland  
 Thorlabs LTD.  
 1 Saint Thomas Place, Ely  
 Cambridgeshire CB7 4EX, GB  
 Tel: +44 (0)1353-654440  
 Fax: +44 (0)1353-654444  
 www.thorlabs.com  
 email: sales.uk@thorlabs.com

Scandinavia  
 Thorlabs Sweden AB  
 Box 141 94  
 400 20 Göteborg, Sweden  
 Tel: +46-31-733-30-00  
 Fax: +46-31-703-40-45  
 www.thorlabs.com  
 email: scandinavia@thorlabs.com

Japan and Asia  
 Thorlabs Japan Inc.  
 5-17-1, Ohtsuka  
 Bunkyo-ku, Tokyo 112-0012, Japan  
 Tel: +81-3-5977-8401  
 Fax: +81-3-5977-8402  
 www.thorlabs.jp  
 email: sales@thorlabs.jp

