

Pigtailed Laser Diode, SMF

LP637-SF70

Description

Thorlabs' Single Mode Pigtailed Laser Diodes are standard TO-packaged diodes that have been pigtailed to a 1 m long single mode fiber with an FC/PC connector. Each unit is tested before shipment; please refer to the unit-specific test datasheet for optimal operating parameters.



Specifications

Specification	Value
LD Reverse Voltage (Max)	2 V
Optical Output Power	70.0 mW (Typ.) 80.0 mW (Max)
Operating Temperature	0 to +40 °C
Storage Temperature	-10 to +65 °C
Pin Code	5G
Fiber	SM600
Connector	FC/PC

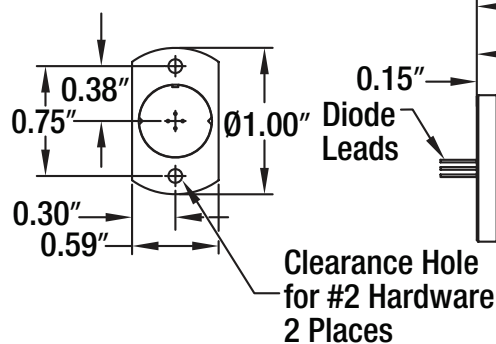
Specification	Min	Typ.	Max
Wavelength	632 nm	637 nm	643 nm
Threshold Current*	-	70 mA	90 mA
Slope Efficiency*	0.30	0.45	-
Operating Current @ P _O = 70 mW*	-	220 mA	300 mA
Operating Voltage @ P _O = 70 mW*	-	2.7 V	2.9 V

*Temperature = 25 °C

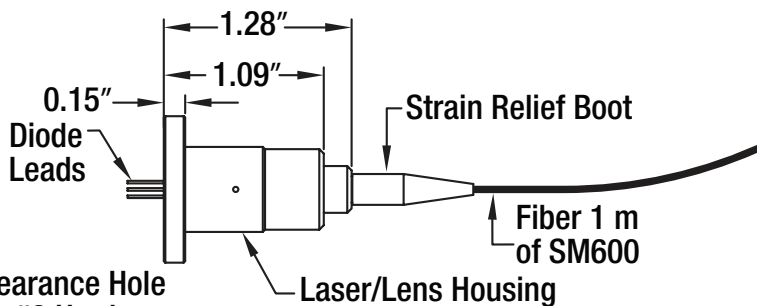
Drawings



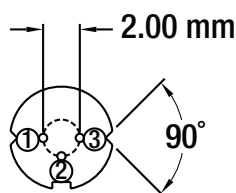
Pigtail Bottom View



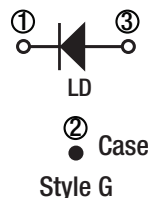
Side View



Diode Bottom View



Pin Diagram



NOTICE

To avoid equipment damage from electrostatic discharge: Wear ESD wriststrap when handling this device.

USA, Canada, and South America

Thorlabs, Inc.
435 Route 206
Newton, NJ 07860, USA

Tel: 973-579-7227
Fax: 973-300-3600

Europe

Thorlabs GmbH
85221 Dachau, Germany
Tel: +49-(0)8131-5956-0

Scandinavia

Thorlabs Sweden AB
400 20 Göteborg, Sweden
Tel: +46-31-733-30-00

UK and Ireland

Thorlabs LTD.
Cambridgeshire CB7 4EX, GB
Tel: +44 (0)1353-654440

Japan and Asia

Thorlabs Japan Inc.
Toshima-ku, Tokyo 170-0013, Japan
Tel: +81-3-5979-8889

France

Thorlabs SAS
78600 Maisons-Laffitte, France
Tel: +33 (0) 970 444 844

China

Thorlabs China
Shanghai, China
Tel: +86 (0)21-32513486

