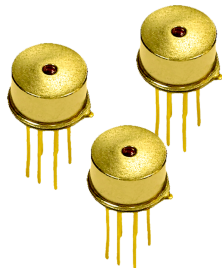


2004nm DM LASER

EP2004-DM-TP39

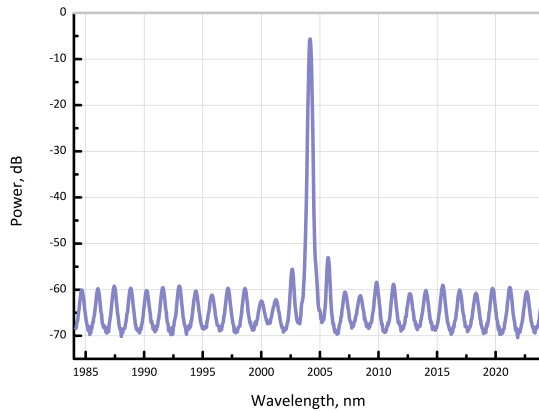


eblanaphotonics

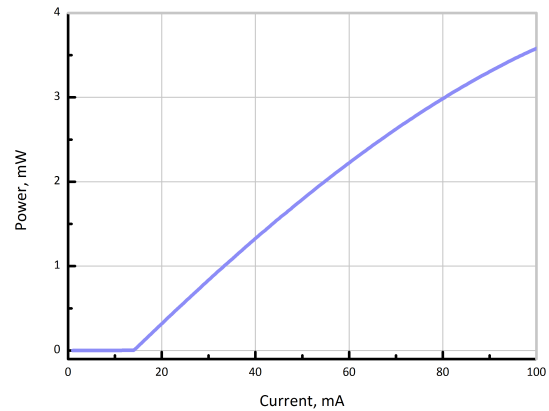


SUPERIOR CO₂ SENSING

Eblana Photonics EP2004-DM-TP39 laser diode, available in a range from 1950-2150nm, has been developed for precision sensing of Carbon Dioxide. Eblana's Discrete-Mode (DM) technology enables excellent SMSR performance and mode-hop free tuning at a highly competitive price



Optical Spectrum at 25°C



Output power as a function of bias current

ELECTRO-OPTICAL CHARACTERISTICS* (T_{SUB} = 25° C)

PARAMETER	SYMBOL	MIN	TYP	MAX	UNIT
Available Wavelength Range	λ	1950	2004	2150	nm
Wavelength tolerance	λ_{spec}	$\lambda - 1$	λ	$\lambda + 1$	nm
Side Mode Supression Ratio	SMSR	30	40	-	dB
Threshold Current	I_{th}	-	20	35	mA
Facet output power	P_f	3	5	-	mW
Optical linewidth	Δf	-	-	2	MHz
Temperature Tuning Coefficient	T_λ	0.07	0.1	0.14	nm/°C
Current Tuning Coefficient	I_λ	-	7	-	pm/mA
Slope Efficiency	SE	0.035	0.055	-	mW/mA
Thermistor Resistance	R_T	9.7	10	10.3	k Ω
Thermistor Temp. Coefficient	C	-	-4.4	-	%/°C
Beam divergence - perpendicular	θ_\perp	-	46	-	degrees
Beam divergence - parallel	θ_\parallel	-	33	-	degrees

*CW bias unless otherwise stated



eblanaphotonics

www.eblanaphotonics.com

Sales@eblanaphotonics.com

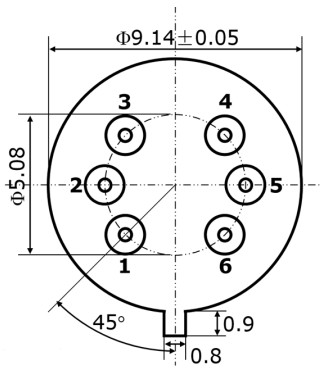
Dublin, Ireland

ABSOLUTE MAXIMUM RATINGS

PARAMETER	SYMBOL	MIN	MAX	UNIT
Forward Current	I_f	-	120	mA
Forward Voltage	V_f	-	2	V
TEC Current	I_{TEC}	-	0.7	A
Reverse Voltage LD	V_r	-	2.0	V
Case Temperature*	T_{Case}	-20	65	°C
Chip Submount Temperature	T_{Sub}	0	50	°C
Storage Temperature	$T_{storage}$	-40	85	°C

PACKAGING

The EP2004-DM-TP39 product series is offered in an industry standard TO39 package - Inquire for other packaging options. The standard package pinout is shown below, variations may be requested.



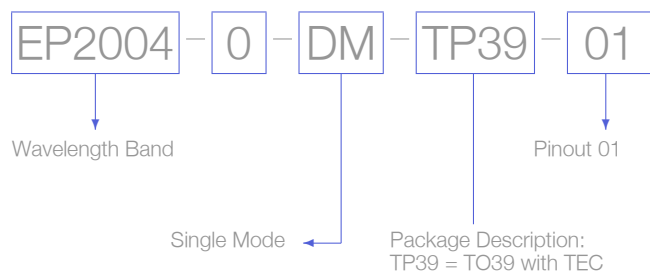
TO39 schematic - outside bottom view

PIN NO	DESCRIPTION
1	TEC+
2	LD+
3	Thermistor
4	Thermistor
5	LD-
6	TEC-

Standard "Pinout 01" option

HOW TO ORDER

Construct your part number using the following example and email your order to sales@eblanaphotonics.com, or call +353 1 675 3228.



Laser Safety

This is a Class 3R Laser Product as defined by International Standard IEC 60825-1, Edition 2. Invisible Laser radiation is emitted from the end of the fiber or connector. Avoid direct eye exposure to the beam. Laser safety labels are not attached to the module due to space limitations but instead are affixed to the outside of the shipping carton.

©Eblana Photonics 2017. Eblana Photonics Reserves the right to amend this document at any time, without prior warning. ©Eblana Photonics Series 2004-DM-TP39 Rev 2.1



eblanaphotonics

www.eblanaphotonics.com

Sales@eblanaphotonics.com

Dublin, Ireland