

MDL-C-637/1~30mW



**LONG COHERENT LENGTH  
DIODE LASER AT 637nm**

Long coherent length diode laser module at 637nm is made features of long coherent length, stable wavelength, long lifetime and easy operating, which is widely used in holography, interference, fluorescence, photoetching, flow cytometry, DNA sequencing, Raman spectroscopy, Laser radar, precision measurement, etc.

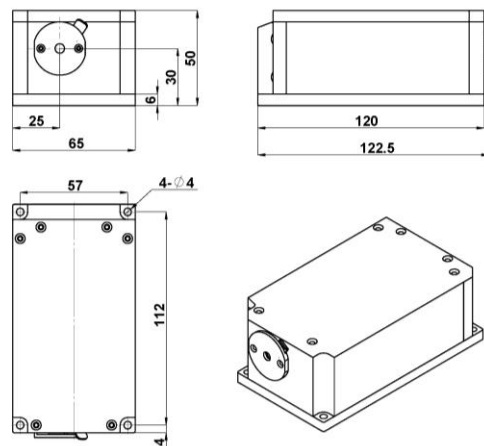


SPECIFICATIONS

|  |   |
|--|---|
| Wavelength (nm)                                      | 637±5   |
| Operating mode                                       | CW  |
| Output power (mW)                                    | >1, 2, 3, ...,30  |
| Power stability (rms, over 4 hours)                  | <1%, <3%, <5%   |
| Transverse mode                                      | Near TEM <sub>00</sub>  |
| Coherent length (m)                                  | >1  |
| M <sup>2</sup> factor                                | <1.5  |
| Beam diameter at the aperture (1/e <sup>2</sup> ,mm) | ~3.0  |
| Beam divergence, full angle (mrad)                   | <1.0  |
| Polarization ratio                                   | >50:1 (>100:1, optional)<br>Horizontal±5 degree (Vertical Optional) |
| Warm-up time (minutes)                               | <15   |
| Beam height from base plate (mm)                     | 30  |
| Operating temperature (°C)                           | 20~30   |
| Power supply (85-264VAC)                             | PSU-III-FDA   |
| Expected lifetime (hours)                            | 10000   |
| Warranty   | 1 year  |

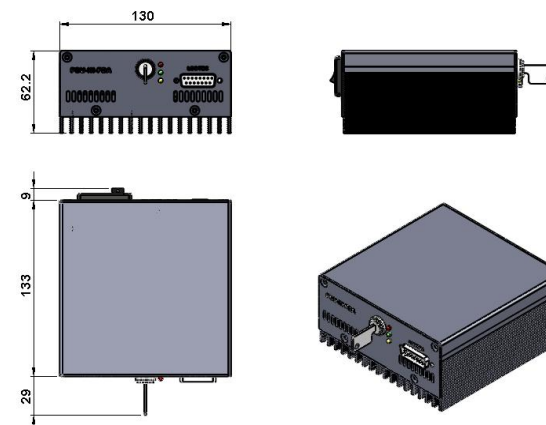


MDL-C-637



122.5(L) ×65(W) ×50 (H) mm<sup>3</sup>, 1.0kg

PSU-III-FDA



171(L) ×130(W) ×62.2 (H) mm<sup>3</sup>, 1.2kg