

# CS405035M5M

## 405nm Compact Laser Diode Modules Key features

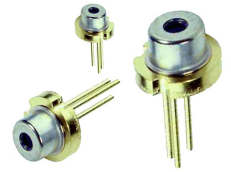
Visible light  $\lambda = 405\text{nm}$   
 Output powers = 35mW CW  
 Package type=5.6 mm  $\phi$   
 High reliability

### Applications

Blu-ray Disc/HD DVD drive  
 Other new application

### Laser Diode Solutions

CS405035M5M is a MOCVD grown 405nm band GaN laser diode. It's an attractive light source, with a typical light output power of CW 35mW. It's suitable for use as high reliability laser diode in a wide range of industrial application.



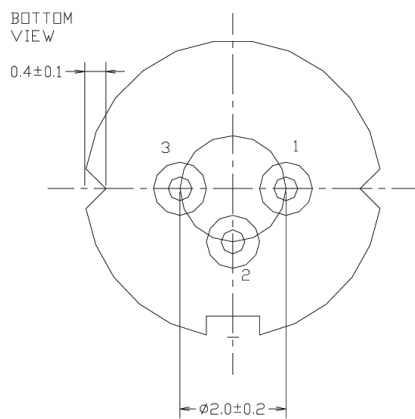
## Electrical and Optical Characteristics at $T_c=25^\circ\text{C}$

item	symbols	Min.	Typ.	Max.	Unit	Condition
Optical Output Power	Po	-	35	-	mW	-
Threshold Current	Ith	-	38	55	mA	-
Operating Current	Iop	-	75	100	mA	Po=35mW
Operating Voltage	Vop		4.8	6	V	Po=35mW
Peak Wavelength	$\lambda_p$	395	405	415	nm	Po=35mW
Beam Divergence	$\Theta_{//}$	6	9	14	deg	Po=35mW
	$\Theta_{\perp}$	16	20	24	deg	Po=35mW
Monitor Current	Im	0.1	0.2	1	mA	Po=35mW

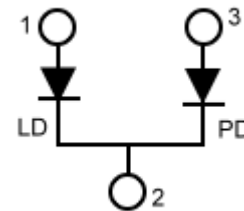
### Absolute Maximum Rating at $T_c=25^{\circ}\text{C}$

Items	Symbols	Values	Unit
Optical Output Power	Po	35	mW
Laser Diode Reverse Voltage	V	5	V
Photo Diode Reverse Voltage	V	30	V
Operating Temperature	To	-10~+70	$^{\circ}\text{C}$
Storage Temperature	Ts	-40~+80	$^{\circ}\text{C}$

### Electrical Connection



### Package Type



## Laser Diode Package Drawing

