

# 1550nm, Conduction-Cooled Single Bar Diode Laser Module

## Features

- High collimator efficiency
- Very low divergence in fast and slow axis
- Sealed housing
- Various wavelengths available



## Device Specification

Optical <sup>1</sup>	Units	QCW <sup>5</sup>
Center Wavelength Range <sup>3</sup>	nm	1550
Center Wavelength Tolerance	nm	±20
Output Power <sup>2</sup>	W (QCW)	70
Spectral Width (FWHM)	nm	<18
Slope Efficiency	W/A	>0.40
Fast- Axis Divergence <sup>3</sup>	mrad	10
Slow-Axis Divergence <sup>3</sup>	mrad	15
Wavelength Temp. Coefficient	nm/°C	~0.62

## Electrical Parameters<sup>1</sup>

Power Conversion Efficiency	%	>21
Threshold Current ( $I_{TH}$ )	A	<12
Operating Current ( $I_{OP}$ )	A	<165
Operating Voltage ( $V_{OP}$ )	V	<2.1

## Electrical Parameters<sup>1</sup>

Operating Temperature Range <sup>3, 4</sup>	°C	+20 to 30
Storage Temperature Range <sup>4</sup>	°C	0 to 55
Recommended Heatsink Capacity	W	>20

<sup>1</sup>Data at 20°C cold plate temperature.

<sup>2</sup>Reduced lifetime if used above nominal operating conditions.

<sup>3</sup>Others available upon request.

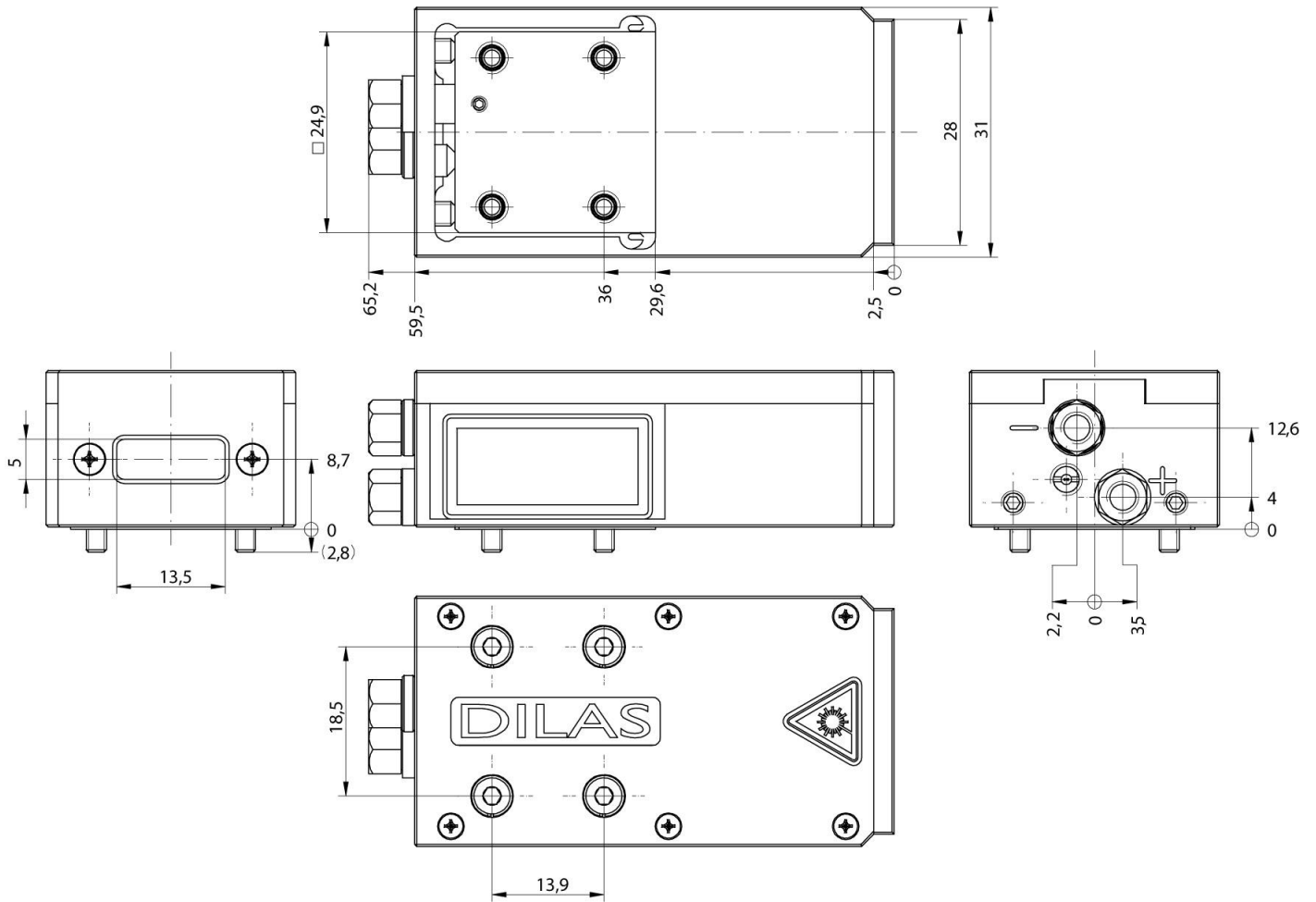
<sup>4</sup>A non-condensing environment is required for storage and operation below the ambient dew point.

<sup>5</sup>Depending on pulse width and duty cycle.

# 1550nm, Conduction-Cooled Single Bar Diode Laser Module

## Package Dimension

### Module M1B-SS4.3



©2012 DILAS. All rights reserved. DILAS reserves the right to change product specifications without notice. For handling precautions, please reference the general handling instruction manual.

For complete details, please contact your local DILAS sales representative or visit our website at [www.DILAS.com](http://www.DILAS.com).

**Europe**  
**DILAS Diodenlaser GmbH**  
Galileo-Galilei-Straße 10  
55129 Mainz  
Germany  
Phone: +49 (0)6131 9226 0  
Fax: +49 (0)6131 9226 257  
Email: [sales@DILAS.de](mailto:sales@DILAS.de)

**North America**  
**DILAS Diode Laser, Inc.**  
9070 South Rita Road  
Suite 1500  
Tucson, AZ 85747  
Phone: +1 (520) 232-3480  
Fax: +1 (520) 232-3499  
Email: [sales@DILAS-INC.com](mailto:sales@DILAS-INC.com)

**China & Taiwan**  
**DILAS Diodenlaser GmbH**  
China Sales Office  
Room 206, Sunplus Technology, Bldg. 2  
No. 1077 Zu Chongzhi Road  
Hi-Tech Park, Shanghai 201203,  
P.R. China  
Phone: +86 (0) 21-6855-2216  
Fax: +86 (0) 21-5027-3793  
Email: [sales@DILAS-CHINA.com.cn](mailto:sales@DILAS-CHINA.com.cn)