



## PRODUCT DATA SHEET

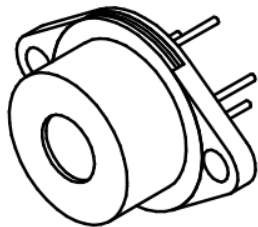
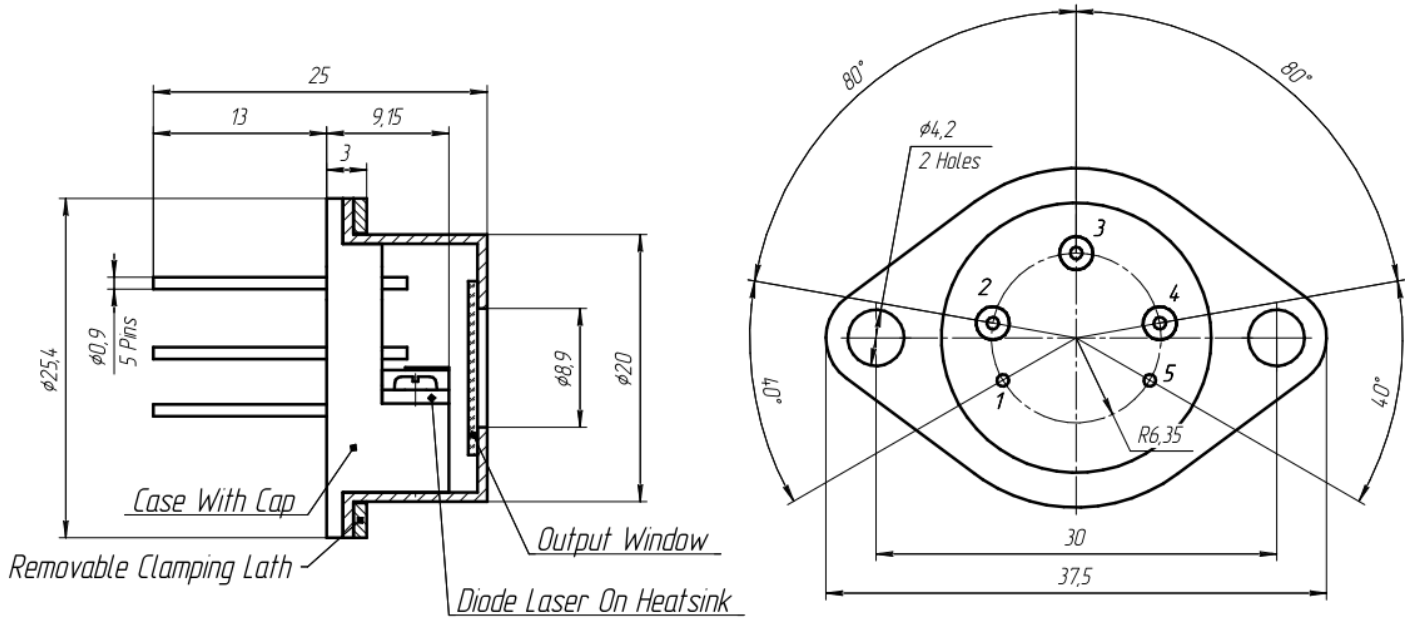
Laser Diode (TO-3 package)

Model FB-M1060-5000TO3

Specification	Symbol	Typical	Unit
Laser Emitter			
Peak Wavelength	$\lambda_{op}$	1060±20	nm
CW Optical Output Power	$P_{op}$	5	W
Operation Current	$I_{op}$	<6	A
Operation Voltage	$U_{ld}$	1.4±0.1	V
Threshold Current	$I_{th}$	<0.8	A
Beam Divergence (FWHM)	$\theta_{  }$	10±2	degree
Beam Divergence (FWHM)	$\theta_{\perp}$	1	degree
Spectrum Half-Width (FWHM)	$\Delta\lambda$	<6	nm
Emitting Area	$W \times d$	100x1	$\mu m \times \mu m$
Operation Mode	-	CW, QCW, Pulse ( $\tau > 5ns$ )	-
Operation Temperature	Top	25	degree
Photo Diode Monitor			
PD Monitor Current		1-1000	$\mu A$
PD Reverse Voltage		9	V
Wavelength Temperature Coefficient	$\Delta\lambda/\Delta T$	3±0.2	$\text{\AA}/\text{degree}$
Operation Current Temperature Coefficient	$\Delta I/\Delta T$	15±5	$\text{mA}/\text{degree}$
Operation Temperature Range		-20... +40	degree
Storage Temperature Range		-30... +60	degree



Drawings:



1, 5	LD +
2	LD -
3	PD -
4	PD +