



## PRODUCT DATA SHEET

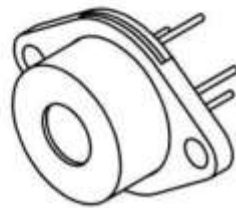
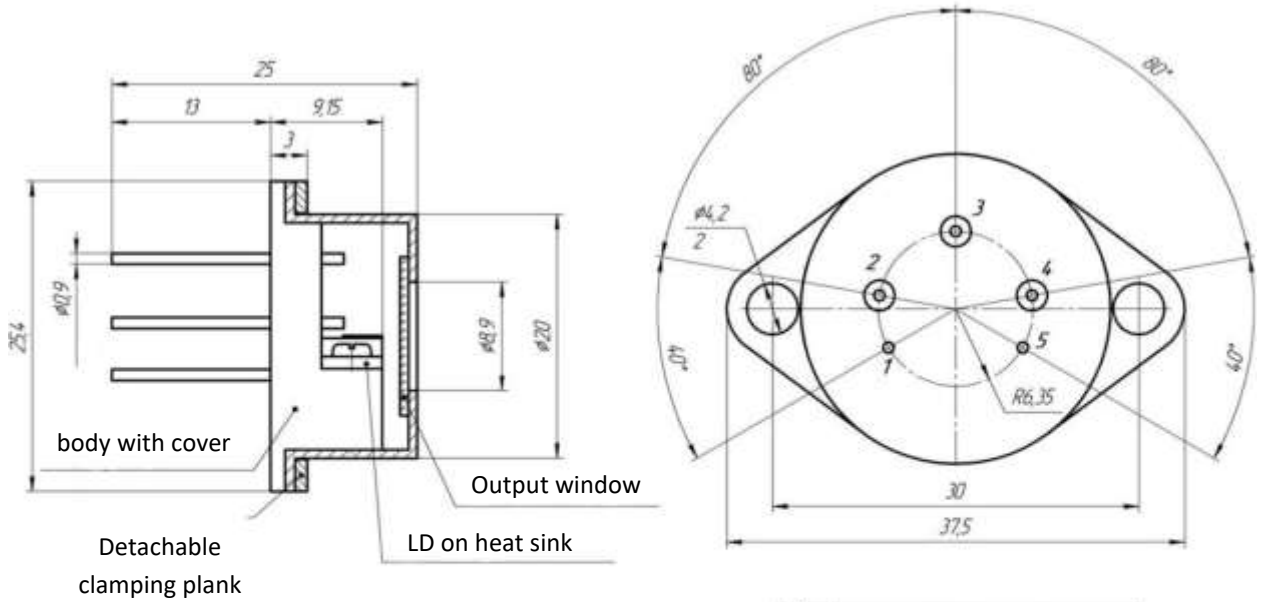
Laser Diode (TO-3 package)

Model FB-M1700-200TO3

Specification	Symbol	Typical	Unit
Laser Emitter			
Peak Wavelength	$\lambda_{op}$	1700±20	nm
CW Optical Output Power	$P_{op}$	0.2	W
Operation Current	$I_{op}$	<2.1	A
Operation Voltage	$U_{ld}$	1.2±0.1	V
Threshold Current	$I_{th}$	<1	A
Beam Divergence (FWHM)	$\theta_{  }$	11±3	degree
Beam Divergence (FWHM)	$\theta_{\perp}$	1	degree
Spectrum Half-Width (FWHM)	$\Delta\lambda$	<7	nm
Emitting Area	$W \times d$	100x1	$\mu m \times \mu m$
Operation Mode	CW	continuous	-
Operation Temperature	$T_{op}$	25	degree
Photo Diode Monitor			
PD Monitor Current		1-1000	$\mu A$
PD Reverse Voltage		9	V
Wavelength Temperature Coefficient	$\Delta\lambda/\Delta T$	3±0.2	$\text{\AA}/\text{degree}$
Operation Current Temperature Coefficient	$\Delta I/\Delta T$	15±5	$\text{mA}/\text{degree}$
Operation Temperature Range		-20... +40	degree
Storage Temperature Range		-40... +80	degree



Drawings:



1	«+» Laser
2	«-» Laser
3	PD monitor
4	«-» Laser
5	«+» laser