

HIGH POWER LASER MODULE WITH FIBER OUTPUT

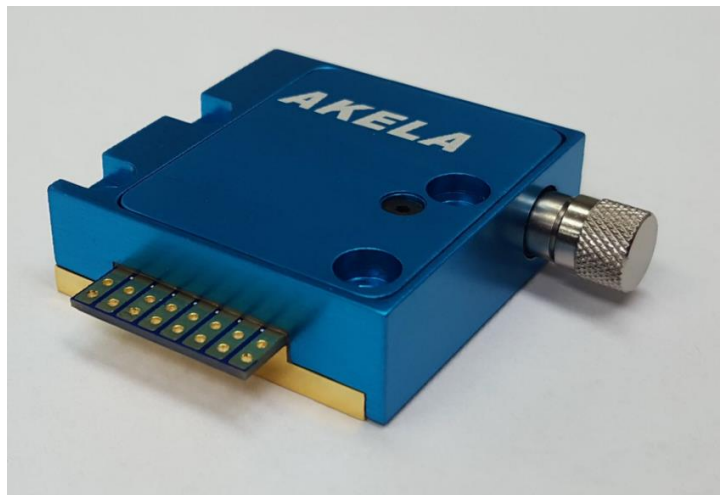
ALC-670-1000-FM200.22

Features

- Compact size
- Detachable 200 μ m SMA-fiber
- Thermistor
- Power monitor

Applications

- Medical
- Solid State Laser Pumping



Specifications

Optical Parameters	Units	
--------------------	-------	--

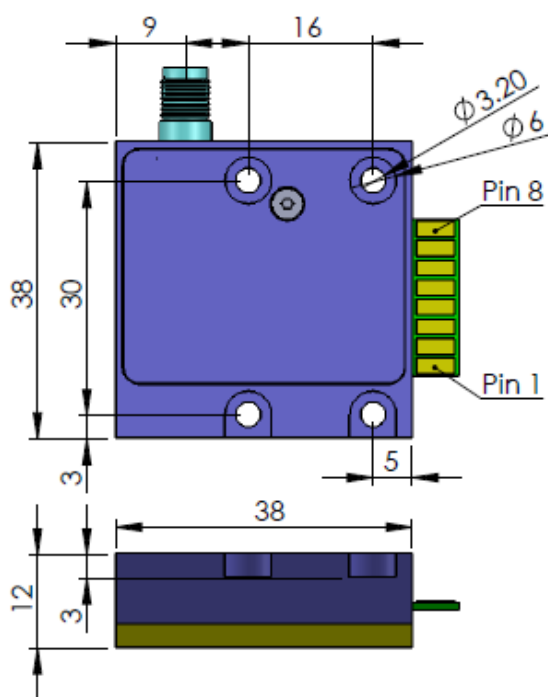
Center Wavelength	nm	670
Wavelength Tolerance	nm	± 5
Spectral Width (FWHM)	nm	< 1
Wavelength Temp. Coefficient	nm/ $^{\circ}$ C	0.2
Output Power	W	1.0
Operating Current	A	0.7
Threshold Current	mA	350

Fiber Parameters		
------------------	--	--

Fiber Core Diameter	μ m	200
Numerical Aperture		0.22
Fiber Connector		SMA-905

Pin-Out

1. Red Laser Anode
2. Red Laser Cathode
3. Laser Diode Anode
4. Thermistor
5. Thermistor
6. Power monitor (+)
7. Power monitor (-)
8. Laser Diode Cathode



These components do not comply with the Federal Regulations (21 CFR Subchapter 1) as administered by the Center for Devices and Radiological health.

Purchaser acknowledges that his/her products must comply with these regulations before they can be sold.

Akela laser Corporation reserves right to change any specifications.