

## HIGH POWER LASER MODULE WITH FIBER OUTPUT

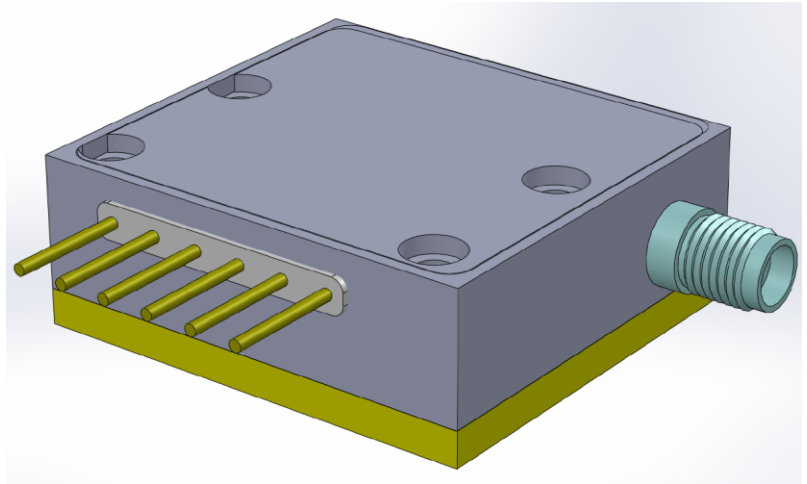
ALC-750-5000-FM200.22-TRIO

### Features

- Detachable 200 $\mu$ m SMA-fiber
- Thermistor
- Power monitor
- Compact footprint 35 mm x 38 mm
- Red pilot laser

### Applications

- Medical
- Solid State Laser Pumping



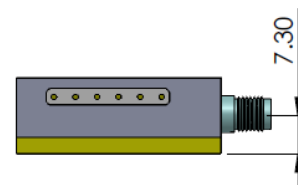
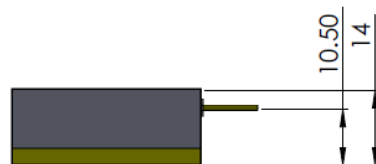
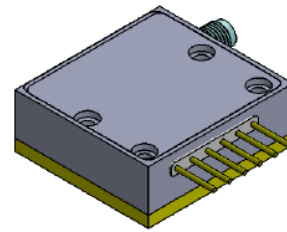
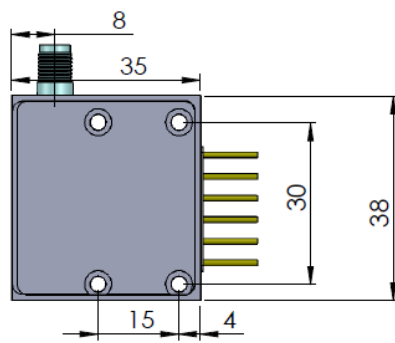
### Specifications

Optical Parameters	Units	
Center Wavelength	nm	750
Wavelength Tolerance	nm	$\pm 5$
Spectral Width (FWHM)	nm	4
Wavelength Temp. Coefficient	nm/ $^{\circ}$ C	0.3
Output Power	W	>5
Operating Current	A	TBD
Operating Voltage	V	<TBD
Threshold Current	A	TBD

Fiber Parameters		
Fiber Core Diameter	$\mu$ m	200
Numerical Aperture		0.22
Fiber Connector		SMA-905

### Pin-Out

1. Thermistor
2. Laser Diode Anode
3. Red Laser Anode
4. Red Laser Cathode
5. Laser Diode Cathode
6. Thermistor



These components do not comply with the Federal Regulations (21 CFR Subchapter 1) as administered by the Center for Devices and Radiological health.

Purchaser acknowledges that his/her products must comply with these regulations before they can be sold.

Akela laser Corporation reserves right to change any specifications.