

*This product is sold
and supported
in the USA by*



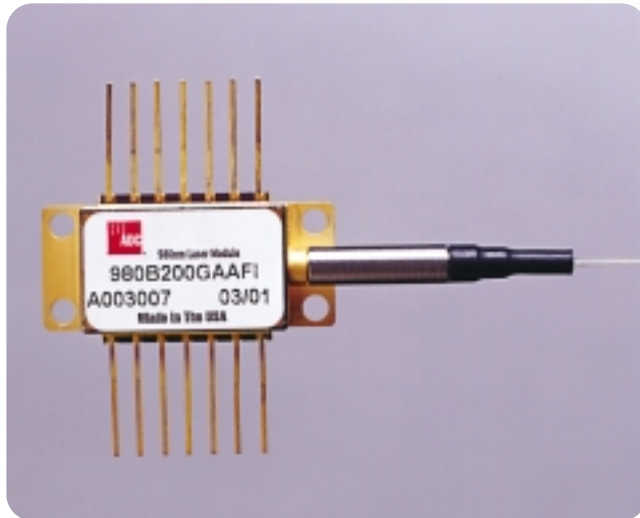
LASER LAB SOURCE
marketplace for **Scientists & Engineers**

contact@LaserLabSource.com

800.887.5065

980 nm Laser Module

Fiber Bragg Grating Stabilized



Features:

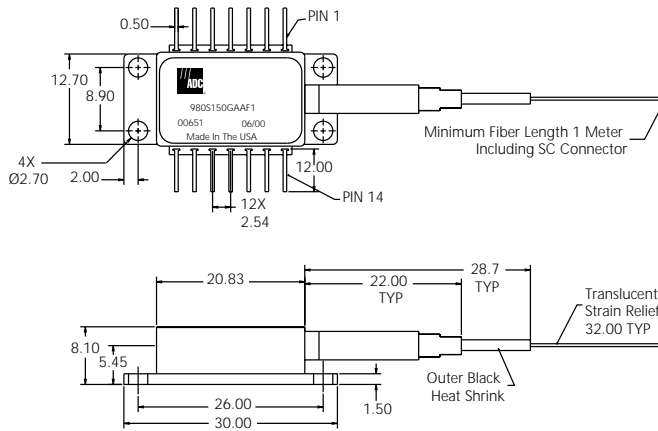
- Fiber Bragg Grating wavelength stabilization
- Unique patent-pending Epitaxial Mirror On Facet (EMOF) technology eliminates Catastrophic Optical Mirror Damage (COMD) at the facet
- Vertically integrated laser diode and module manufacturing facility ensures reproducible and consistent laser process
- Molecular Beam Epitaxy (MBE) grown laser structure optimizes spectral performance
- High-power operation
- Robust optical train
- Fully Bellcore GR-468-CORE and GR-1312-CORE compliant
- High-power 14-lead "butterfly" laser module designed to exceed the reliability demands of EDFA applications in telecommunications



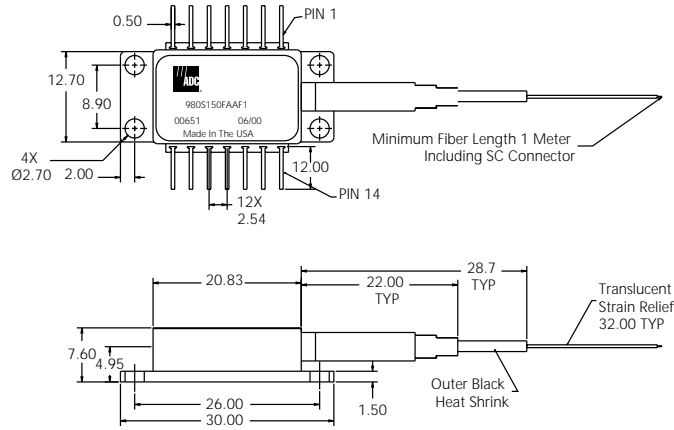
980 nm Laser Module

Fiber Bragg Grating Stabilized

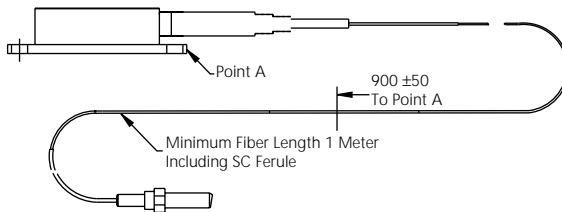
5/01 • 100366PR 980 nm Laser Module BGS



Standard 980 nm Laser Module



Fully Floating 980 nm Laser Module



Lead Number and Function

- 1) Thermoelectric Cooler (+)
- 2) Thermistor
- 3) Photo Diode Anode
- 4) Photo Diode Cathode
- 5) Thermistor, Case Ground
- 6) NC
- 7) NC
- 8) NC
- 9) NC
- 10) Laser Anode, Case Ground, ESD Protection
- 11) Laser Cathode, ESD Protection
- 12) NC
- 13) Case Ground
- 14) Thermoelectric Cooler (-)

Lead Number and Function

- 1) Thermoelectric Cooler (+)
- 2) Thermistor
- 3) Photo Diode Anode
- 4) Photo Diode Cathode
- 5) Thermistor
- 6) NC
- 7) NC
- 8) NC
- 9) NC
- 10) Laser Anode, ESD Protection
- 11) Laser Cathode, ESD Protection
- 12) NC
- 13) Case Ground
- 14) Thermoelectric Cooler (-)



980 nm Laser Module

Fiber Bragg Grating Stabilized

Operating Specifications

LASER MODULE

Threshold Current:	15 mA typical, 25 mA maximum
Forward Voltage at ($L_{(Kink)}$):	1.8 V typical, 2.5 V maximum
Kink Current	
$L_{(Kink)} = 110$ mW:	185 mA typical, 225 mA maximum
$L_{(Kink)} = 120$ mW:	200 mA typical, 245 mA maximum
$L_{(Kink)} = 130$ mW:	215 mA typical, 260 mA maximum
$L_{(Kink)} = 140$ mW:	230 mA typical, 280 mA maximum
$L_{(Kink)} = 150$ mW:	250 mA typical, 300 mA maximum
$L_{(Kink)} = 160$ mW:	265 mA typical, 320 mA maximum
$L_{(Kink)} = 170$ mW:	280 mA typical, 335 mA maximum
$L_{(Kink)} = 180$ mW:	295 mA typical, 355 mA maximum
$L_{(Kink)} = 190$ mW:	310 mA typical, 375 mA maximum
$L_{(Kink)} = 200$ mW:	322 mA typical, 390 mA maximum
Center Wavelength (Peak at $L_{(Kink)}$):	$\lambda \pm 1$ nm
Laser Diode Operating Temperature:	20°C to 30°C
Total Power Consumption:	6 W
Hermeticity:	5×10^{-7} Atm cc/s minimum
Internal Moisture:	5000 ppm maximum
FWHM ($\Delta\lambda @ L_{(Kink)}$)	1 nm maximum

MONITOR PHOTODIODE

Photocurrent:	200 μ A to 2500 μ A
Dark Current:	100 nA maximum
Responsivity:	1 μ A/mW to 25 μ A/mW

Absolute Maximum Rating Specifications

ENVIRONMENTAL

Storage Temperature:	-40°C to 85°C
Operating Temperature:	-20°C to 85°C
Lead Solder Temperature:	260°C
Laser Operating Temperature:	20°C to 30°C
Lead Solder Time:	10 Sec

LASER MODULE

Fiber Output Power:	250 mW
Forward Current:	460 mA
Reverse Voltage:	2 V
Reverse Current:	2.5 mA

MONITOR PHOTODIODE

Current:	4 mA
Reverse Voltage:	150 V

FIBER TAIL ASSEMBLY

Fiber Temperature:	-40°C to 85°C
Fiber Pull Force:	5 N
Bend Radius:	16 mm

5 / 0 1 • 1 0 0 3 6 6 P R 980 nm Laser Module BGS

980 nm Laser Module

Fiber Bragg Grating Stabilized

Absolute Maximum Rating Specifications (Continued)

THERMOELECTRIC COOLER

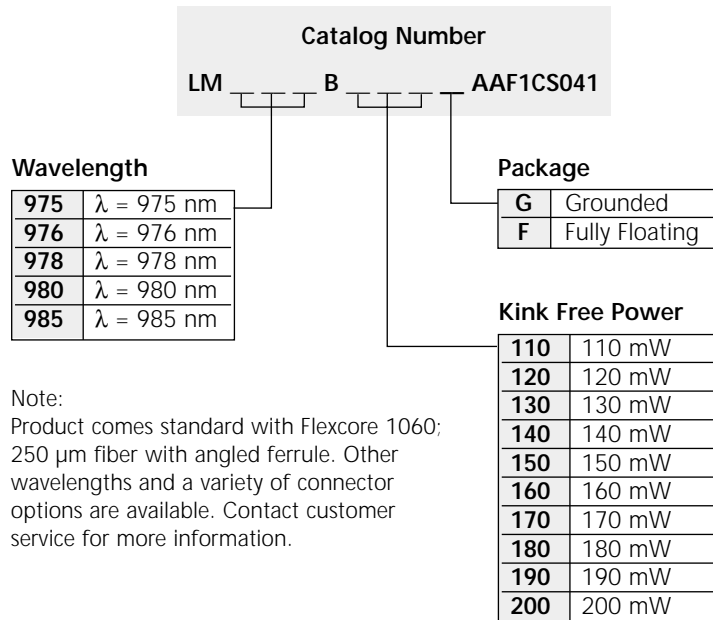
Current:	1.5 A
Voltage:	3.5 V
Power Consumption:	4.8 W

THERMISTOR

Current:	2 mA
Voltage:	5 V
Resistance ($L_{(kink)}$) 25°C Submount:	9.5 k Ω to 10.2 k Ω , 10 k Ω typical

Notes:

- 1) Kink power is defined as the power corresponding to a current where the kink signal is greater than 0.20 mW. Kink signal is defined as the difference between the binomial coefficient weighted global and local average of a LI curve measured from the fiber.
- 2) All figures are based on start of life (S.O.L.) unless otherwise stated.
- 3) Temperature of submount 25°C, temperature of case 70°C unless otherwise stated.
- 4) $L_{(kink)}$ – Kink free rated power of laser module.



Note:

Product comes standard with Flexcore 1060; 250 μ m fiber with angled ferrule. Other wavelengths and a variety of connector options are available. Contact customer service for more information.



Web Site: www.adc.com

From North America, Call Toll Free: 1-800-366-3891, Ext. 63475 • Outside of North America: +1-952-938-8080 Fax: +1-952-946-3292
For a complete listing of ADC's global sales office locations, please refer to our web site.

ADC Telecommunications, Inc., P.O. Box 1101, Minneapolis, Minnesota USA 55440-1101
Specifications published here are current as of the date of publication of this document. Because we are continuously improving our products, ADC reserves the right to change specifications without prior notice. At any time, you may verify product specifications by contacting our headquarters office in Minneapolis. ADC Telecommunications, Inc. views its patent portfolio as an important corporate asset and vigorously enforces its patents. Products or features contained herein may be covered by one or more U.S. or foreign patents. An Equal Opportunity Employer

