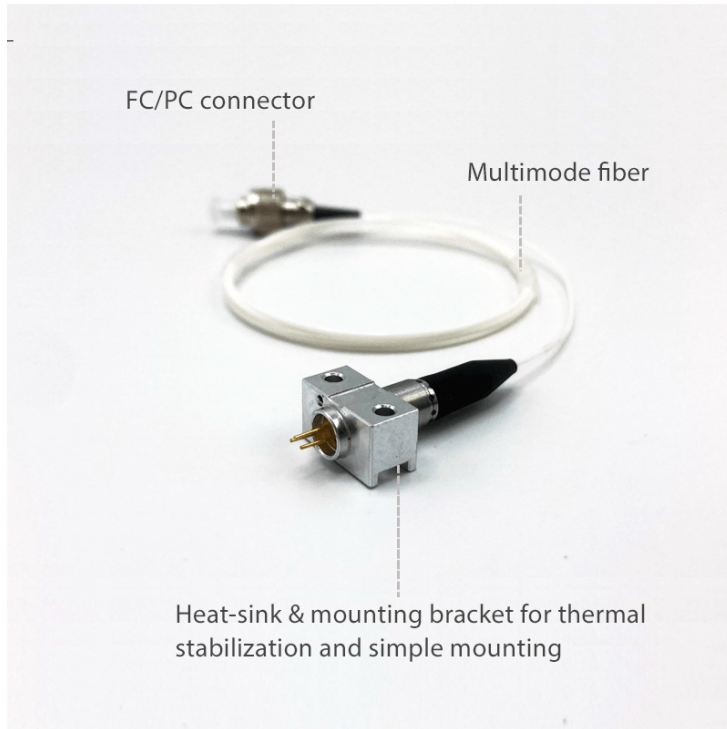




## 785nm, 3000mW Coaxial Laser Diode Multi-Mode Fiber with FC/PC Connector



### PN: RLS/785NM-3000MW-MMF

- Wavelength: 785 nm
- Output Power: 3000 mW
- 105  $\mu$ m Multi-Mode Fiber
- Standard FC/PC Connector (Inquire for other connector options)

**LASER LAB SOURCE**

World Leading Products for  
Laser Scientists and Engineers



## 785NM-3000MW-MMF Product Overview

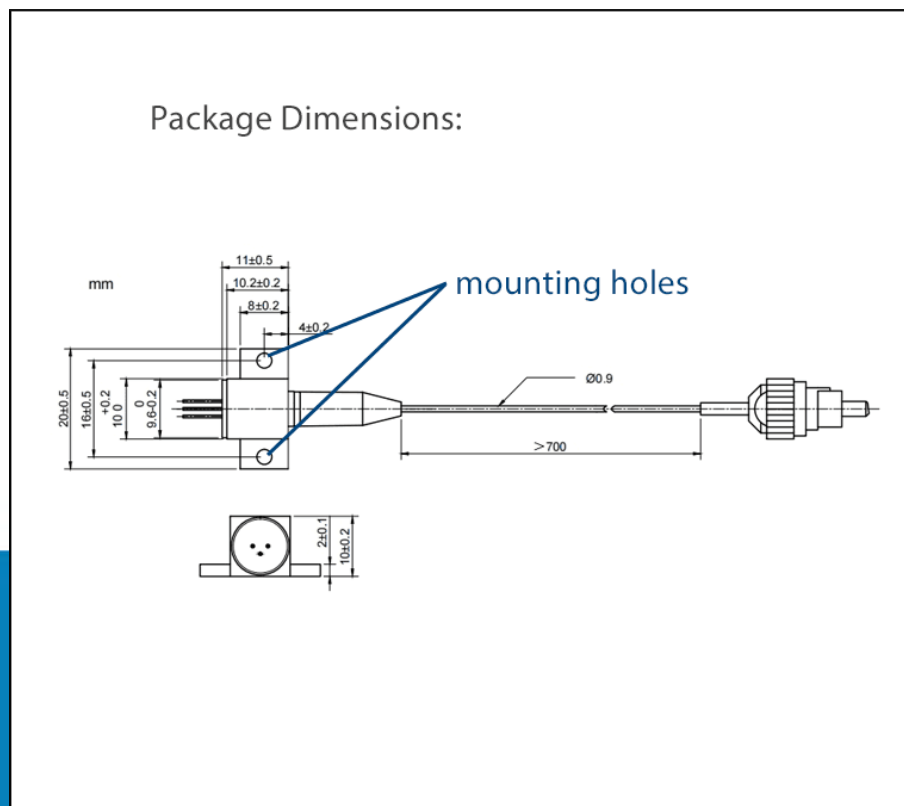
This Fabry-Perot laser is offered in a coaxial fiber-coupled package. The laser is mounted in a heat-sink bracket that provides for simple mounting.

This laser is coupled to 105  $\mu\text{m}$  multi-mode fiber, NA 0.22, and terminated with an FC/PC connector. (Other options are available; inquire for options and details).

## Proven Laser Diode Expertise

These high stability fiber coupled laser diodes are designed and manufactured to meet the most demanding R&D and industrial applications.

Proprietary design, packaging, and fiber coupling processes produce laser diodes with very high stability and low noise. Each laser diode is subject to extensive testing and burn-in before shipment to ensure the highest possible levels of quality and long term reliability.





## OPTICAL SPECIFICATIONS

- Output Wavelength: 785 nm  $\pm$ 10 nm
- Output Power: 3000 mW
- Spectral Width (FWHM): 2.0 nm
- Wavelength Temp. Coefficient: 0.3 nm/ $^{\circ}$ C
- Laser Type: Fabry-Perot

## FIBER SPECIFICATIONS

- Fiber Type: Multi-Mode Fiber
- Fiber Core: 105  $\mu$ m
- N.A.: 0.22
- Fiber Length: >80 cm
- Fiber Connector: FC/PC (Other Types Available; Inquire)

## ELECTRICAL SPECIFICATIONS

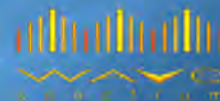
- Threshold Current: 0.7 A (typ)
- Operating Current: 4.0 A (typ)
- Operating Voltage: 2.0 V (typ)



**LASER LAB SOURCE**

world leading products for **Scientists & Engineers**

manufactured by



**PRODUCT SALES AND SERVICE:**

Orders for this product are fulfilled by Laser Lab Source in North America.

**PRODUCT WARRANTY:**

This product is sold with a full one year warranty. It is warranted to be free from defects in material and/or workmanship for a period of one year from the date of shipment. Warranty does not include customer induced damage to the product through mishandling.



Laser Lab Source, a division of Research Lab Source Inc.  
670 S. Ferguson St., Suite 3  
Bozeman, MT 59718 USA

Phone: 800-887-5065

[www.LaserLabSource.com](http://www.LaserLabSource.com)